

NELSON. TURF

Quality. Service. Guaranteed!



COMMERCIAL Valves

Nelson 7900 series valves incorporate heavy-duty corrosion resistant materials for sturdy and dependable years of service. Glass reinforced nylon body and bonnet to prevent leaks and breaks, stainless-steel plunger and spring to prevent seepage and corrosion, a simple valve design that's easy to use - all these and more combine to provide a durable and convenient product line.

7901, 7916 Globe

- Flow range: Less than 1 to 30 gpm
- Threading: NPT (7901); BSP (7916)
- Flow control: NO
- Size: 4"L x 2³/₄"W x 5"H
- 20 per box

7911, 7917 Globe

- Flow range: Less than 1 to 30 gpm
- Threading: NPT (7911); BSP (7917)
- Flow control: YES
- Size: 4"L x 2³/₄"W x 5"H
- 20 per box

7931 Angle

- Flow range: Less than 1 to 30 gpm
- Threading: NPT
- Flow control: YES
- Size: 3³/₄"L x 2³/₄"W x 5⁷/₈"H
- 20 per box

7941 Angle

- Flow range: Less than 1 to 30 gpm
- Threading: NPT
- Flow control: NO
- Size: 3³/₄"L x 2³/₄"W x 5⁷/₈"H
- 20 per box

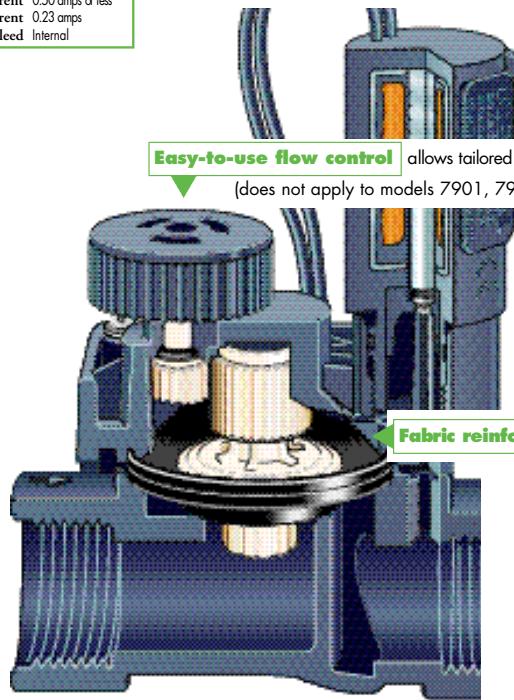
1"

COMMERCIAL Valves

-features

7900 series

Minimum pressure 10 PSI
 Maximum pressure 150 PSI
 Input 24V AC
 Inrush current 0.50 amps or less
 Holding current 0.23 amps
 Manual bleed Internal



Simple, proven design has few moving parts

Fully encapsulated solenoid with a stainless steel plunger and spring

Easy-to-use flow control allows tailored adjustments in all job site conditions
 (does not apply to models 7901, 7916)

Manual internal bleed is easy to operate – just twist the solenoid

Molded in solenoid seat for tighter tolerance parts

Fabric reinforced diaphragm for increased durability

Body and bonnet made of glass reinforced nylon to prevent leaks and breaks

Bayonet-mounted bonnet with captured diaphragm for quick and easy servicing

Directly compatible with SoloRain™ series of battery-operated actuators

Five-year warranty on materials and workmanship on the valve, Two-year warranty on materials and workmanship on the solenoid

ACCESSORIES

7963: 115 volt replacement solenoid
 (includes conduit connection)

7901 (7916 BSP) & 7911 (7917 BSP) 1" GLOBE VALVE

Flow	Pressure Loss	Flow	Pressure Loss	Flow	Pressure Loss
GPM	PSI	L/min	kPa	m ³ /hr	BAR
1	4.0	3.8	28	0.23	0.3
5	2.5	18.9	17	1.14	0.2
10	2.0	37.9	14	2.27	0.1
15	2.5	56.8	17	3.41	0.2
20	3.5	75.7	24	4.54	0.2
25	4.5	94.6	31	5.68	0.3
30	6.5	113.6	45	6.81	0.5

7931 & 7941 1" ANGLE VALVE

Flow	Pressure Loss	Flow	Pressure Loss	Flow	Pressure Loss
GPM	PSI	L/min	kPa	m ³ /hr	BAR
1	4.0	3.8	28	0.23	0.3
5	2.5	18.9	17	1.14	0.2
10	2.0	37.9	14	2.27	0.1
15	2.5	56.8	17	3.41	0.2
20	3.0	75.7	21	4.54	0.2
25	4.0	94.6	28	5.68	0.3
30	5.5	113.6	38	6.81	0.4