

NEW PRODUCT BLU-LOCK X DRIP-LOCK TEE

Now Available

Part #	Description
BL-401-101-DL (37360)	1" BL x 1/2" DL Tee
BL-402-101-DL (37361)	3/4" BL x 1/2" DL Tee

The Blu-Lock by Drip-lock tee quickly adapts a Blu-Lock feeder line to any 1/2" drip tubing. No longer do you need different brands of fittings for different brands of pipe. Drip-Lock covers them all.

This new technology uses a revolutionary stainless steel retaining ring that grips the pipe from the outside allowing for optimum flow and easy installation.

BUILT FOR SPEED ADVANTAGES

- Installation is a 100% tool and chemical free approach that cuts installation time in half. No clamps or hard to insert barbed fittings.
- Low insertion force makes installation quick and easy.
- All weather use, means Installation is possible during wet or dry conditions.
- Instant on capability allows for Full pressurization immediately after installation. No waiting for glue to dry.
- All Blu-Lock and Drip-Lock fittings are releasable and reusable .
- Once inserted Blu-Lock fittings are capable of rotating 360 degrees. This means changes in grade and elevation are no longer an issue.

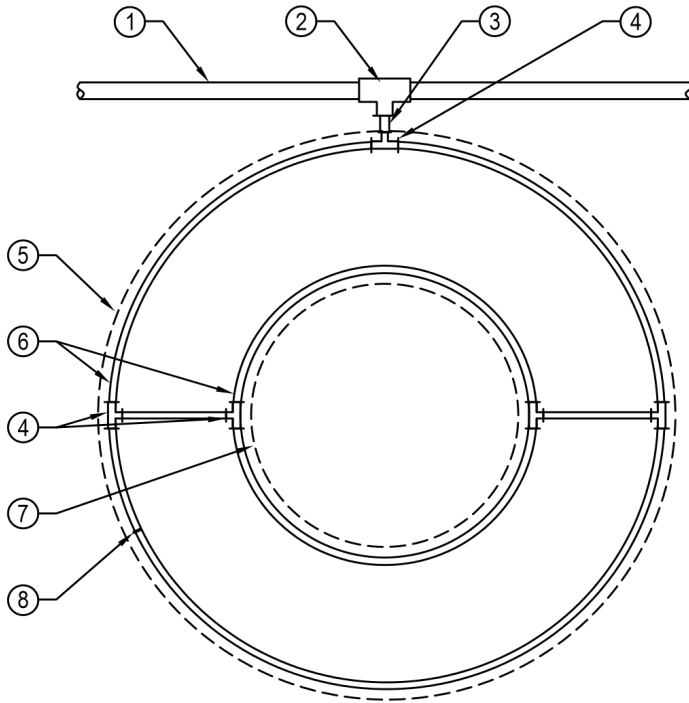


BUILT FOR GREEN ADVANTAGES

- Blu-Lock and Drip-Lock fittings are chemical free and glue-less. This new installation process protects the environment and the long-term health of your crew.
- Built tough fittings made from recyclable UV-resistant ABS, stainless steel and EPDM seals.
- Blu-lock and Drip-Lock technology ensures lower friction loss for better water efficiency.

SPECIFICATIONS

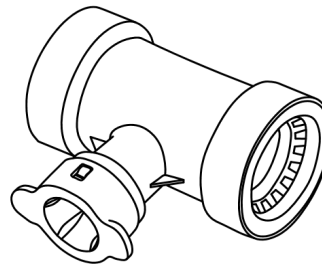
- 1/2" Drip-Lock works with drip tubing ranging in sizes from 16 mm to 18mm.
- Blu-Lock fitting burst pressure exceeds 350 PSI
- Operating pressure 10-150 PSI
- Drip lock fitting burst pressure exceeds 100 PSI
- Operating Pressure: 0-50 PSI
- Blu-lock works with all HDPE pipe listed SIDR 15 80-100 PSI and SIDR 19 80-100 PSI.



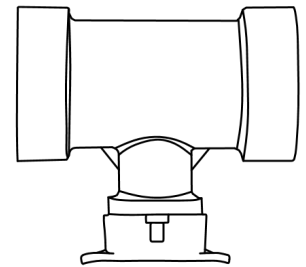
ON-SURFACE EMITTER CIRCLE

LEGEND

- ① BLU-LOCK® HDPE SIDR 15 OR SIDR 19 PIPE
- ② HDPE TO 1/2" DRIP-LOCK® TEE HYDRO-RAIN® BL-401-101-DL
- ③ 1/2" HYDRO-RAIN® DLT SERIES TUBING
- ④ 1/2" DRIP-LOCK® TEE HYDRO-RAIN® DL-401-005
- ⑤ PROJECTED CANOPY LINE
- ⑥ ON SURFACE EMITTER LINE HYDRO-RAIN® DLT-10-12-100
- ⑦ ROOT BALL
- ⑧ LOOP STAKE HYDRO-RAIN® HRZ-LS-18
 (SPACED AS REQUIRED, SEE MFG NOTE 2 AND 3 BELOW)



PERSPECTIVE



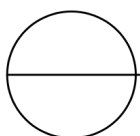
TOP VIEW

MANUFACTURER NOTES:

1. DISTANCE BETWEEN LATERAL RINGS AND EMITTER SPACING TO BE BASED ON SOIL TYPE, AND CANOPY.
2. PLACE LOOP STAKES EVERY THREE FEET IN SAND, FOUR FEET IN LOAM, AND FIVE FEET IN CLAY.
3. PLACE LOOP STAKES AT FITTINGS, AND WHERE THERE IS A CHANGE OF DIRECTION.
4. THE BLU-LOCK® TO DRIP-LOCK® HEADER TEE IS DESIGNED TO BE USED ON 1" BLU-LOCK® HDPE SIDR 15 OR 19 ASTM D2239 PIPE.
5. TREE WATERING RING SHALL BE CONSTRUCTED WITH PUSH FIT DRIP-LOCK® FITTINGS THAT HAVE THE CAPABILITY TO BE UNLOCKED AND RELEASED FOR MAINTENANCE AND RE-USABILITY.
6. THE TEE IS AN ABOVE GROUND/ON SURFACE DRIPLINE HEADER.

NOTES:

1. INSTALLATION TO BE COMPLETED IN ACCORDANCE WITH MANUFACTURER'S SPECIFICATIONS.
2. DO NOT SCALE DRAWING.
3. THIS DRAWING IS INTENDED FOR USE BY ARCHITECTS, ENGINEERS, CONTRACTORS, CONSULTANTS AND DESIGN PROFESSIONALS FOR PLANNING PURPOSES ONLY. THIS DRAWING MAY NOT BE USED FOR CONSTRUCTION.
4. ALL INFORMATION CONTAINED HEREIN WAS CURRENT AT THE TIME OF DEVELOPMENT BUT MUST BE REVIEWED AND APPROVED BY THE PRODUCT MANUFACTURER TO BE CONSIDERED ACCURATE.
5. CONTRACTOR'S NOTE: FOR PRODUCT AND COMPANY INFORMATION VISIT www.CADdetails.com/info AND ENTER REFERENCE NUMBER 4899-Sample



BLU-LOCK® TO DRIP-LOCK® HEADER

BL-401-101-DL (37360) 1" BLU-LOCK® X 1/2" DRIP-LOCK® ADAPTER TEE
 BL-402-101-DL (37361) 3/4" BLU-LOCK® X 1/2" DRIP-LOCK® ADAPTER TEE