



Model PR

PRESSURE REDUCING VALVE

(36 SERIES)

Job Name:	Contractor:
Job Location:	P.O. Number:
Engineer:	Representative:
Tag:	Wholesale Distributor:

DESCRIPTION

The Apollo® Model PR (36 Series) Pressure Reducing Valves are designed to protect residential and commercial water distribution systems by controlling excessive pressures. The valves are built for long reliable service with proven ASTM grade materials including a bronze body and stainless steel strainer.



FEATURES

- Corrosion Resistant Sealed Body and Bonnet
- Pressure Gauge Connection Option
- 100% Factory Tested
- Integral SS Strainer
- Balanced Piston Design
- Internal Thermal Expansion By-pass
- Standard Pressure Setting: 50 psi
- High and Low Pressure Options
- Multiple Connections Types
- 100% Manufactured in USA

MATERIAL SPECIFICATIONS

Part Name	Material
Body	Bronze, ASTM B584
Covers	Bronze, ASTM B584
Diaphragm	FDA Grade Buna W/ Polyester
Seat disc	FDA Grade EPDM
Stem	Brass, ASTM B-16
Spring	Stainless Steel
O-Rings	FDA approved Nitrile

PERFORMANCE RATING

Maximum Supply Pressure up to 300 psig
 Temperature Range 33 °F – 180 °F
 Maximum Set Pressure: 125 psig

APPROVALS



UNION

- blank – Single Union
- T – No Union
- D – Double Union

GAUGE

- blank – No Gauge Port
- P – Plugged Gauge Port
- G – W/ Pressure Gauge

PRESSURE RANGE

- blank – 25–75 PSIG
- L – 10-35 PSIG
- H – 75-125 PSIG

MISCELLANEOUS OPTIONS

- A – Stainless Steel Trim

SIZE

- 1/2" - 1-1/4"
- 3/4" - 1-1/2"
- 1" - 2"

END CONNECTION

- BLANK –FNPT x FNPT

Single Union

- S - Solder x FNPT
- C – CPVC x FNPT
- X – PEX x FNPT

Double Union

- S – Solder x Solder
- C – CPVC x CPVC
- X – PEX x PEX
- B – BSPT x BSPT
- SC – Solder x CPVC
- SX – Solder x PEX
- CX – CPVC x PEX

ORDER NUMBER MATRIX

36	-	CONNECTION	OPTION	SIZE	GAUGE	PRESSURE
		1- SINGLE UNION NPT	0 - NO OPTION	3 - 1/2"	0 - W/O GAUGE	1- 25-75 PSI RANGE
		2- NO UNION NPT	C- CPVC TAILPIECE	4 - 3/4"	P - WITH GAUGE PORT PLUG	2- 10-35 PSI RANGE
		3- SINGLE UNION SOLDER	S - SS TRIM	5 - 1"	G- WITH GAUGE	3- 75-125 PSI RANGE
		4- DOUBLE UNION NPT	X - PEX TAILPIECE	6 - 1-1/4"		
		5- DOUBLE UNION SOLDER		7 - 1-1/2"		
		6- SINGLE UNION METER x NPT		8 - 2"		
		8- DOUBLE UNION CPVC				
		9- DOUBLE UNION PEX				

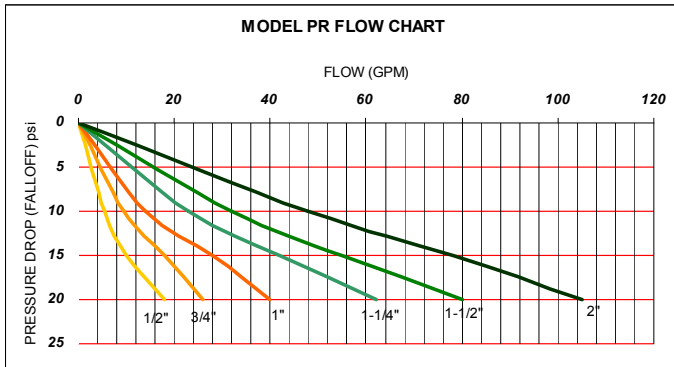


Model PR

PRESSURE REDUCING VALVE

(36 SERIES)

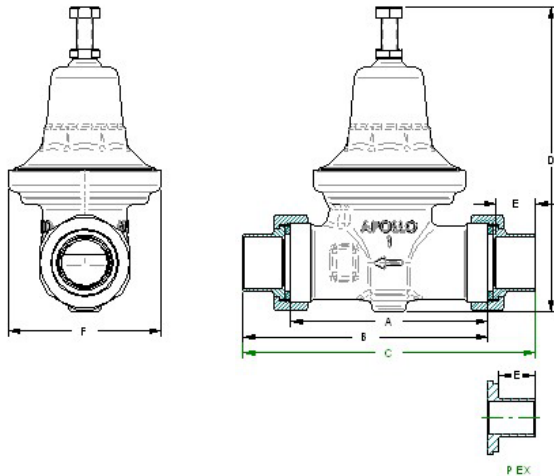
FLOW AND SIZING INFORMATION



DIMENSIONAL INFORMATION

CONNECT TYPE	SIZE (in)	DIMENSIONS (IN.)						WT. (Union) (lbs. EA)
		A	B	C	D	E	F	
THREAD	1/2"	4	4-7/8	5-5/8	5-7/8	5/8	2-3/4	3.5
SOLDER	1/2"	4	4-7/8	5-5/8	5-7/8	1/2	2-3/4	3.4
PEX	1/2"	4	5	5-3/4	5-7/8	5/8	2-3/4	3.3
CPVC	1/2"	4	4-5/8	5-1/4	5-7/8	1/2	2-3/4	3.1
THREAD	3/4"	3-7/8	4-7/8	5-5/8	5-7/8	5/8	2-3/4	3.4
SOLDER	3/4"	3-7/8	4-7/8	5-5/8	5-7/8	3/4	2-3/4	3.3
PEX	3/4"	3-7/8	5	5-3/4	5-7/8	5/8	2-3/4	3.2
CPVC	3/4"	3-7/8	4-7/8	5-5/8	5-7/8	5/8	2-3/4	3
THREAD	1"	4-3/8	5-1/2	6-3/8	6-7/8	5/8	3-3/8	4.5
SOLDER	1"	4-3/8	5-1/2	6-3/8	6-7/8	5/8	3-3/8	4.4
PEX	1"	4-3/8	5-1/2	6-5/8	6-7/8	7/8	3-3/8	4.3
CPVC	1"	4-3/8	5-3/4	7	6-7/8	3/4	3-3/8	4
THREAD	1-1/4"	5-3/8	6-1/2	7-1/2	8-7/8	7/8	4	10.2
SOLDER	1-1/4"	5-3/8	6-5/8	7-3/4	8-7/8	1	4	10.1
THREAD	1-1/2"	5-3/8	6-5/8	7-7/8	8-7/8	3/4	4	10.4
SOLDER	1-1/2"	5-3/8	6-3/4	8	8-7/8	1-1/8	4	10.3
THREAD	2"	7-1/8	8-1/2	9-7/8	11-1/2	1	5-3/4	22.5
SOLDER	2"	7-1/8	8-7/8	10-1/2	11-1/2	1-3/8	5-3/4	22.4

* Nominal dimensions are shown. Allowances must be made for manufacturers' tolerances.



WATER CAPACITY (GPM)

PIPE SIZE	FALL-OFF (PSI)	PRESSURE DIFFERENTIAL (PSI)		
		25	50	75
1/2"	5	1.7	2	2.3
	10	4.3	5	5.8
	15	8.5	10	11.5
	20	15.3	18	20.7
3/4"	5	3.4	4	4.6
	10	7.7	9	10.4
	15	14.5	17	19.6
	20	22.1	26	29.9
1"	5	5.1	6	6.9
	10	11.9	14	16.1
	15	22.1	26	29.9
	20	34	40	46
1-1/4"	5	8.5	10	11.5
	10	19.6	23	26.5
	15	35.7	42	48.3
	20	53	62	71
1-1/2"	5	12	14	16
	10	27	32	37
	15	48	56	64
	20	68	80	92
2"	5	15	18	21
	10	39	46	53
	15	66	78	90
	20	94	110	127

JUMP KIT

FOR USE DURING SYSTEM STARTUP AND OVERPRESSURIZATION

Kit Number	Size	Adapter
36C304JKF	3/4"	Threaded
36C305JKF	1"	Threaded
36C304JKS	3/4"	Solder
36C305JKS	1"	Solder
36C304JKC	3/4"	CPVC
36C305JKC	1"	CPVC



Conbraco Industries, Inc. 701 Matthews Mint Hill Rd. Matthews NC 28106 USA; www.Apollovalves.com; 704-841-6000

Conbraco Industries can accept no responsibility for possible errors in this document and reserves the right to alter its product design or construction without notice and without incurring any obligation to make such changes on Conbraco products previously or subsequently sold. All product specifications are approximate and are provided for reference only.