



Model PVB4A & PVBLF4A PRESSURE VACUUM BREAKER STANDARD OR LEAD FREE*

Job Name:	Contractor:
Job Location:	P.O. Number:
Engineer:	Representative:
Tag:	Wholesale Distributor:

DESCRIPTION

The Apollo® Model PVB4A Pressure Vacuum Breakers and PVBLF4A Lead Free* Pressure Vacuum Breakers prevent contamination of the potable water supply due to back-siphonage. An integral freeze protection relief valve serves to reduce the possibility of damage due to intermittent freezing conditions. The modular check valve cartridge provides a captured spring, a replaceable seat and a reversal silicone seat disc. This **Made in America** assembly features Apollo® ball valves with stainless steel handles and nuts as standard and carries the **five-year** Apollo® factory warranty.

FEATURES

- Low pressure loss documented by independent approval agencies
- Built-in freeze resistance feature standard
- Easily removable modular check valve cartridge
- Captured stainless steel springs
- Apollo® ball valves w/ SS handles & nuts standard
- Test cocks located for easy draining
- Corrosion resistant
- No special tools required
- Unique canopy detachment
- **Designed, cast, machined, assembled and tested IN THE USA**

MATERIAL SPECIFICATIONS

Part Name	Material
Body, Ball Valves, Test cocks	Bronze C84400 or C89836 (Lead Free*)
Canopy	UV-Resistant ABS
Bonnet	Glass-Filled PPO
Check Valve Cartridge	Glass-Filled PPO
Springs	Stainless Steel
Seat Discs	Chloramine-resistant Silicone
Float	Glass-Filled Polypropylene
O-rings	Chloramine-resistant EPDM

ORDERING INFORMATION

4 A X X - 5 0 X - X X F

OPTIONS

- (Blank) - NPT Testcock (NA for LF* ¾" - 1")
- F - SAE Testcock
 - 02 - With ball valves (Standard)
 - 04 - With union-end ball valves (¾" & 1" only)

SIZE

- 3 - ½"
- 4 - ¾"
- 5 - 1"
- 6 - 1 ¼"
- 7 - 1 ½"
- 8 - 2"

MATERIAL

- (Blank) - Standard material
- LF - Lead Free* (¾" & 1" only)



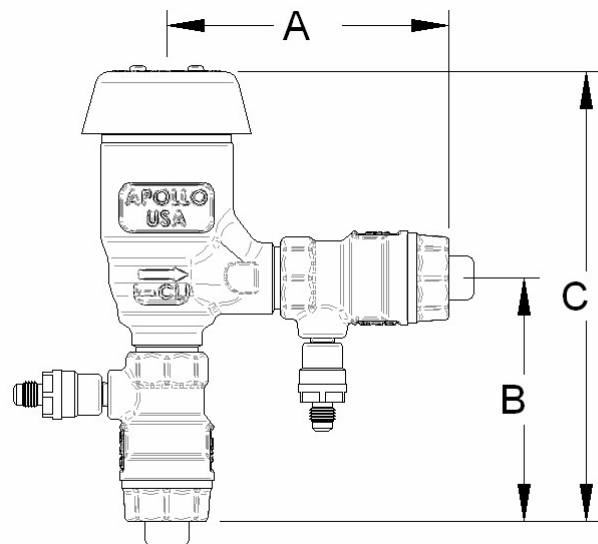
APPROVALS

ASSE 1020 - (½" - 2")
CSA B.64.1.2 - (½" - 2")



PERFORMANCE RATING

Maximum Operating Pressure 150 psi
Temperature Range 33 °F - 140 °F



DIMENSIONS (in.)

Ordering No.	Size	A	B	C	Wt. (lb.)
4A50302	½"	4 ½"	3 ¾"	7 ¼"	3.2
4A50402	¾"	4 ¾"	4 ⅛"	7 ⅝"	3.8
4A50502	1"	5 ⅜"	4 ⅝"	8 ⅜"	5.2
4A50602	1 ¼"	7 ⅜"	5 ¾"	10 ¼"	9.1
4A50702	1 ½"	7 ½"	5 ⅞"	10 ⅜"	12.5
4A50802	2"	8 ⅞"	6 ¾"	11 ⅞"	21.0

* Lead Free per section 116875 of the California Health & Safety Code

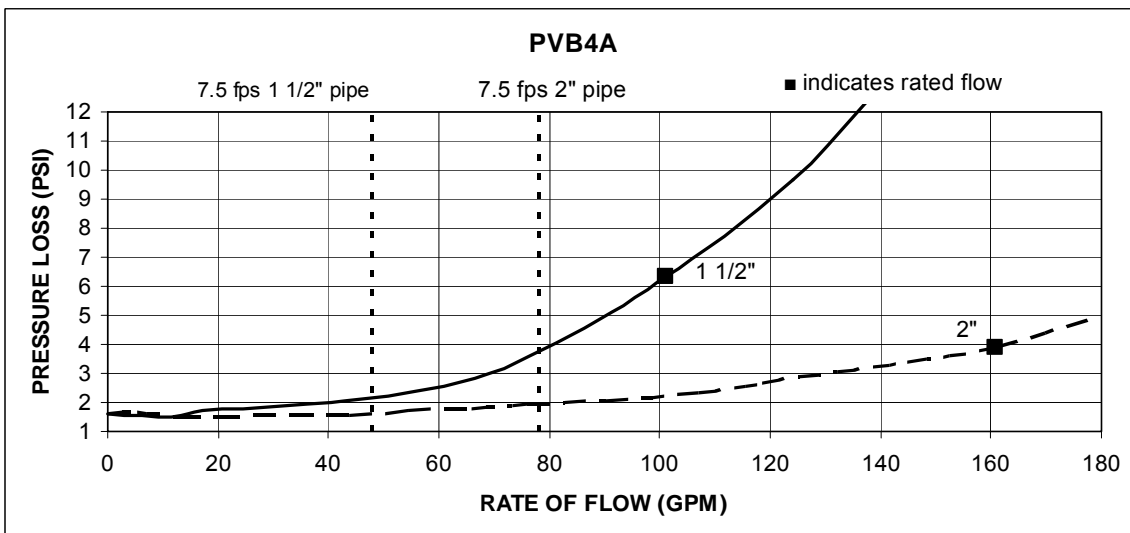
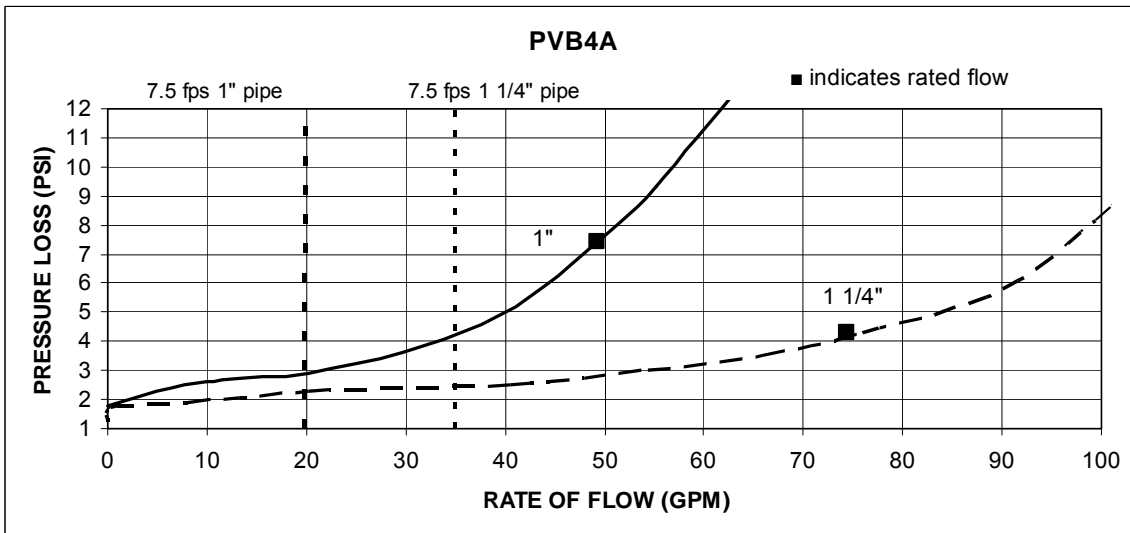
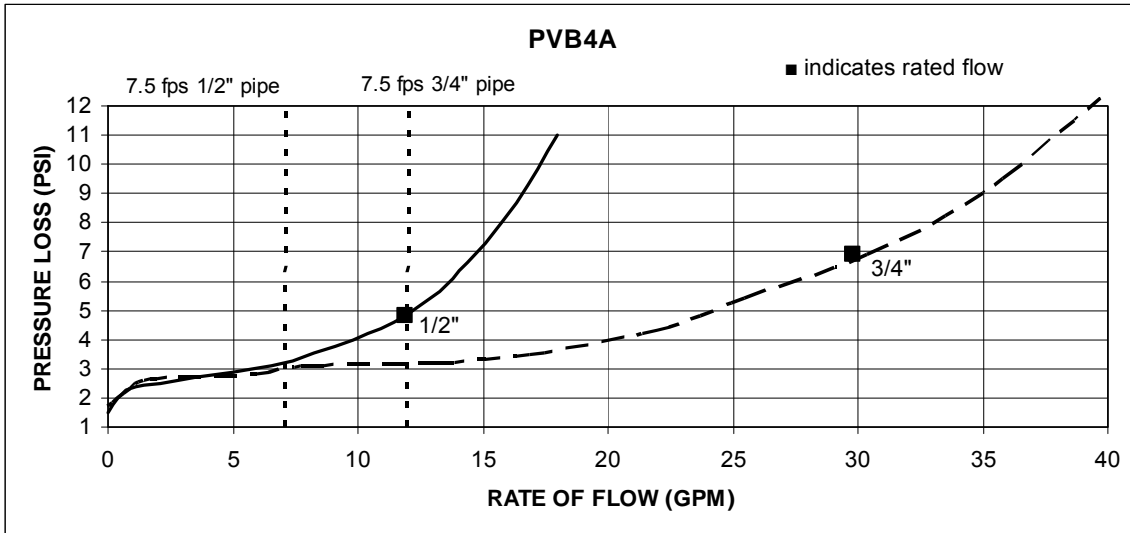
Conbraco Industries, Inc. 701 Matthews Mint Hill Rd. Matthews NC 28105 USA; www.apollovalves.com; 704-841-6000

This specification is provided for reference only. Conbraco reserves the right to change any portion of this specification without notice and without incurring obligation to make such changes to Conbraco products previously or subsequently sold.



Model PVB4A & PVBLF4A PRESSURE VACUUM BREAKER STANDARD OR LEAD FREE*

FLOW CURVES, Curves developed from independent approval agencies actual tests – Consult factory for details.
 ■ indicates rated flow as determined by approval agencies, 7.5 ft/sec is the typical maximum Plumbing system flow rate.



* Lead Free per section 116875 of the California Health & Safety Code