

## NDS PRO SERIES VALVE BOXES – COMMERCIAL GRADE

### Pro Series Valve Boxes by NDS

- Engineered specifically for the professional contractor and heavy-duty use
- Superior strength for commercial and utility applications

### Details

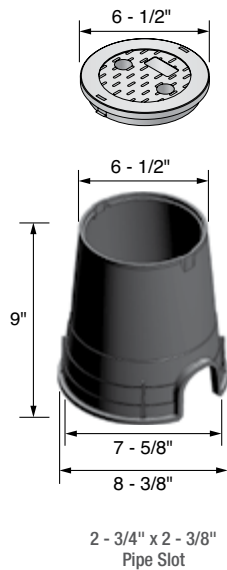
- Thicker wall dimensions for increased strength and durability
- Reinforced covers for heavier loads
- Reinforced ribs offer exceptional sidewall strength
- Brass nut on boxes for bolt-down capability

### Materials and Standards

- High-impact, high-density structural foam polyethylene construction
- Overlapping covers prevent dirt and grass from settling in between body and cover
- UV inhibitors prevent discoloration and cracking

### NDS Pro Series 6" Round Valve Boxes

**Specifications:** The NDS PRO SERIES 6" round body is tapered and has a minimum wall thickness of 0.200". The body has a double wall at the top cover seat area with a minimum thickness of 0.130". The bottom of the body has a 0.250" flange. The 6" round cover has an average thickness of 0.187".

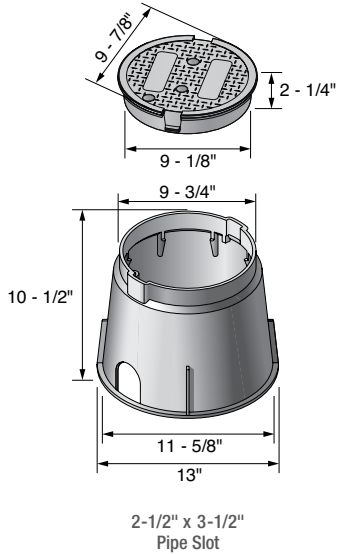


| Part No.               | Description - Marking                         | Color (Box/Cover) | Pallet Qty. | Wt. Ea. lbs. | Product Class |
|------------------------|---|-------------------|-------------|--------------|---------------|
| <b>Box &amp; Cover</b> |   |                   |             |              |               |
| 208BC                  | 6" Round Box, Round Overlapping Cover - ICV   | Green/Green       | 250         | 1.50         | 20PR          |
| 208BCW                 | 6" Round Box, Round Overlapping Cover - Water | Green/Green       | 250         | 1.50         | 20PR          |
| 208BCS                 | 6" Round Box, Round Overlapping Cover - Sewer | Green/Green       | 250         | 1.50         | 20PR          |
| <b>Cover Only</b>      |   |                   |             |              |               |
| 107C                   | 6" Round Overlapping Cover - ICV              | Green             | 800         | 0.40         | 20ND          |
| 107CW                  | 6" Round Overlapping Cover - Water            | Green             | 800         | 0.40         | 20NM          |
| 107CS                  | 6" Round Overlapping Cover - Sewer            | Green             | 800         | 0.40         | 20nm          |
| <b>Box Only</b>        |   |                   |             |              |               |
| 208B                   | 6" Round Box                                  | Green             | 250         | 1.10         | 20PR          |

## NDS PRO SERIES VALVE BOXES – COMMERCIAL GRADE

### NDS Pro Series 10" Round Valve Boxes

**Specifications:** The NDS PRO SERIES 10" round body is tapered and has a minimum wall thickness of 0.250". The cover seat area has 8 structural support ribs on the underside of the seat, each with a minimum thickness of 0.250". The bottom of the body has a 0.500" flange. The 10" round cover has an average thickness of 0.300". The valve box has a 3/8" 304 Brass nut for the bolt-down as a standard feature.



| Part No.               | Description - Marking   | Color (Box/Cover) | Pallet Qty. | Wt. Ea. lbs. | Product Class |
|------------------------|---|-------------------|-------------|--------------|---------------|
| <b>Box &amp; Cover</b> |   |                   |             |              |               |
| 212BC BRN              | 10" Round Box, Round Overlapping Cover - ICV                  | Black/Brown       | 120         | 4.50         | 20PR          |
| 212BC                  | 10" Round Box, Round Overlapping Cover - ICV                  | Green/Green       | 120         | 4.50         | 20PR          |
| 212BCB                 | 10" Round Box, Round Overlapping Bolt-Down Cover - ICV        | Green/Green       | 120         | 4.60         | 20PR          |
| 211BCBLK               | 10" Round Box, Round Overlapping Cover - ICV                  | Black/Black       | 120         | 4.50         | 20PR          |
| 211PBCR                | 10" Round Box, Round Overlapping Cover - Reclaimed Water      | Purple/Purple     | 120         | 4.50         | 20PR          |
| 212BCW                 | 10" Round Box, Round Overlapping Cover - Water                | Green/Green       | 120         | 4.50         | 20PR          |
| 212BCBW                | 10" Round Box, Round Overlapping Bolt-Down Cover - Water      | Green/Green       | 120         | 4.60         | 20PR          |
| 212BCS                 | 10" Round Box, Round Overlapping Cover - Sewer                | Green/Green       | 120         | 4.50         | 20PR          |
| 212BCBS                | 10" Round Box, Round Overlapping Bolt-Down Cover - Sewer      | Green/Green       | 120         | 4.60         | 20PR          |
| 212BC ELEC             | 10" Round Box, Round Overlapping Cover - Electrical           | Gray/Gray         | 120         | 4.50         | 20PR          |
| 212BCB ELEC            | 10" Round Box, Round Overlapping Bolt-Down Cover - Electrical | Gray/Gray         | 120         | 4.60         | 20PR          |
| <b>Cover Only</b>      |   |                   |             |              |               |
| 211C BRN               | 10" Round Overlapping Cover - ICV                             | Brown             | 200         | 1.50         | 20PR          |
| 211C                   | 10" Round Overlapping Cover - ICV                             | Green             | 200         | 1.50         | 20PR          |
| 211CR                  | 10" Round Overlapping Cover - Reclaimed Water                 | Purple            | 200         | 1.50         | 20PR          |
| 211CRG                 | 10" Round Overlapping Cover - Reclaimed Water                 | Green             | 200         | 1.50         | 20PR          |
| 211C BLK               | 10" Round Overlapping Cover - ICV                             | Black             | 200         | 1.50         | 20PR          |
| 211CW                  | 10" Round Overlapping Cover - Water                           | Black             | 200         | 1.50         | 20PR          |
| 211CWG                 | 10" Round Overlapping Cover - Water                           | Green             | 200         | 1.40         | 20PR          |
| 211CS                  | 10" Round Overlapping Cover - Sewer                           | Green             | 200         | 1.50         | 20PR          |
| 211C ELEC              | 10" Round Overlapping Cover - Electrical                      | Gray              | 200         | 1.50         | 20PR          |
| 211PBCBR               | 10" Round Reclaimed ICV and Bolted Cover                      | Purple/Purple     | 120         | 4.50         | 20PR          |
| <b>Box Only</b>        |   |                   |             |              |               |
| 212B                   | 10" Round Box   | Green             | 120         | 3.00         | 20PR          |
| 212PB                  | 10" Round Box   | Purple            | 120         | 3.00         | 20PR          |
| 212B BLK               | 10" Round Box   | Black             | 120         | 3.00         | 20PR          |
| 212B GRAY              | 10" Round Box   | Gray              | 120         | 3.00         | 20PR          |
| 113BB                  | 2-1/2" x 3/8" SS Bolt   | Steel             | (Bag of 10) | 0.10         | 20NM          |