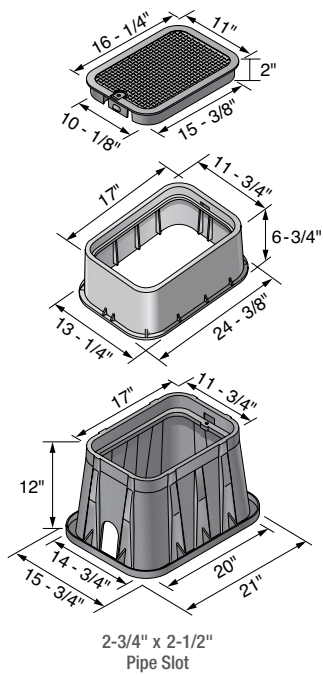


NDS PRO SERIES PLUS VALVE BOXES – NEXT-GENERATION COMMERCIAL GRADE

NDS Pro Series Plus 14" x 19" Corrugated Irrigation Valve Boxes

Specifications: The NDS PRO SERIES PLUS 14" x 19" body is tapered and has a minimum wall thickness of 0.187". The body has a double wall at the top cover seat area with a minimum thickness of 0.200". The cover seat area has 18 structural support ribs on the underside of the seat, each with a minimum thickness of 0.200". The bottom of the body has a 0.500" flange. The 14" x 19" cover has an average thickness of 0.200". The valve box has a 3/8" 304 Brass nut for the bolt-down as a standard feature.

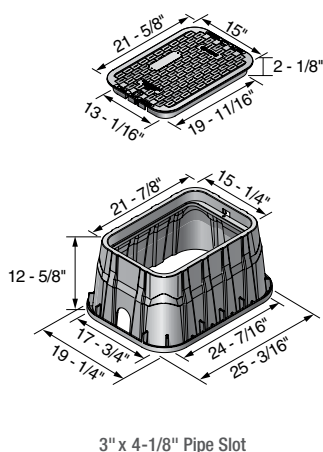


Part No.	Description - Marking	Color (Box/Cover)	Pallet Qty.	Wt. Ea. lbs.	Product Class
Box & Cover					
314BC	14" x 19" Box, Overlapping Cover - ICV	Green/Green	84	7.30	20PR
314BCB	14" x 19" Corrugated Box, Overlapping Bolt-Down Cover - ICV	Green/Green	84	7.40	20PR
314BCNH	14" x 19" Corrugated Box w/ No Holes, Overlapping Cover - ICV	Green/Green	84	7.30	20PR
314BCSAND	14" x 19" Box, Overlapping Cover - ICV	Sand/Sand	84	7.30	20PR
314BCSAND	14" x 19" Corrugated Box, Overlapping Bolt-Down Cover - ICV	Sand/Sand	84	7.40	20PR
314BNHCWG	14" x 19" Corrugated Box w/ No Holes, Overlapping Cover - Water	Green/Green	84	7.30	20PR
314PBCR	14" x 19" Box, Overlapping Cover - Reclaimed Water	Purple/Purple	84	7.30	20PR
314BCRBLK	14" x 19" Box, Reclaimed Cover	Black/Black	84	8.50	20PR
314PBCBR	14" x 19" Corrugated Box, Overlapping Bolt-Down Cover - Reclaimed Water	Purple/Purple	84	7.40	20PR
314PBCR NH	14" x 19" Corrugated Box w/ No Holes, Overlapping Cover - Reclaimed Water	Purple/Purple	84	7.30	20PR
314BCRG	14" x 19" Box, 14" x 19" Overlapping Cover - Reclaimed Water	Green/Green	84	7.30	20PR
Cover Only					
313C	14" x 19" Overlapping Cover - ICV	Green	300	2.30	20PR
313CSAND	14" x 19" Overlapping Cover - ICV	Sand	300	2.30	20PR
313CR	14" x 19" Overlapping Cover - Reclaimed Water	Purple	300	2.30	20PR
313CRG	14" x 19" Overlapping Cover - Reclaimed Water	Green	300	2.30	20PR
314CW	14" x 19" Overlapping Cover - Water	Green	300	2.30	20PR
Box Only					
314B	14" x 19" Box	Green	84	5.00	20PR
314BBLK	14" x 19" Box	Black	84	5.41	20PR
314BSAND	14" x 19" Box	Sand	84	5.00	20PR
314PB	14" x 19" Box	Purple	84	5.00	20PR
314BNH	14" x 19" Corrugated Box w/ No Holes	Green	84	5.00	20PR
314PBNH	14" x 19" Corrugated Box w/ No Holes	Purple	84	5.00	20PR
214-6	14" x 19" x 6" Extension	Green	49	4.00	20PR
113BB	2-1/2" x 3/8" SS Bolt	Steel	(Bag of 10)	0.10	20NM

NDS Pro Series Plus 13" x 20" Jumbo Corrugated Valve Boxes

Specifications: The NDS PRO SERIES PLUS 13" x 20" body is tapered and has a minimum wall thickness of 0.250". The body has a double wall at the top cover seat area with a minimum thickness of 0.250". The cover seat area has 22 structural support ribs on the underside of the seat, each with a minimum thickness of 0.130". The bottom of the body has a 0.500" flange. The 13" x 20" cover has an average thickness of 0.250". The valve box has a 3/8" 304 Brass nut for the bolt-down as a standard feature.

VALVE BOXES

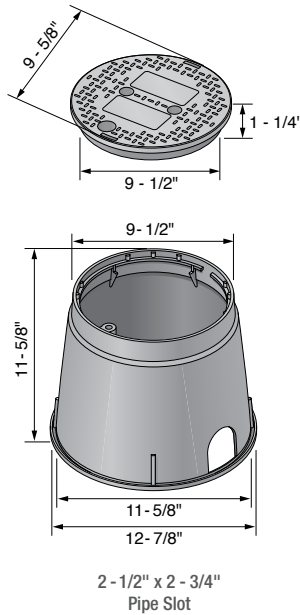


Part No.	Description - Marking	Color (Box/Cover)	Pallet Qty.	Wt. Ea. lbs.	Product Class
Box & Cover					
318BC	13" x 20" Jumbo Box, Overlapping Cover - ICV	Green/Green	56	14.25	20PR
318BCB	13" x 20" Corrugated Jumbo Box, Overlapping Bolt-Down Cover - ICV	Green/Green	56	14.35	20PR
318BCSAND	13" x 20" Jumbo Box, Overlapping Cover - ICV	Sand/Sand	56	14.25	20PR
318PBCR	13" x 20" Jumbo Box, Overlapping Cover - Reclaimed Water	Purple/Purple	56	14.25	20PR
318PBCBR	13" x 20" Corrugated Jumbo Box, Overlapping Bolt-Down Cover - Reclaimed Water	Purple/Purple	56	14.35	20PR
Cover Only					
317C	13" x 20" Overlapping Cover - ICV	Green	180	5.05	20PR
317CSAND	13" x 20" Overlapping Cover - ICV	Sand	180	5.05	20PR
317CR	13" x 20" Overlapping Cover - Reclaimed Water	Purple	180	5.05	20PR
Box Only					
318B	13" x 20" Jumbo Box	Green	56	9.20	20PR
318BSAND	13" x 20" Jumbo Box	Sand	56	9.20	20PR
318PB	13" x 20" Jumbo Box	Purple	56	9.20	20PR
113BB	2-1/2" x 3/8" SS Bolt	Steel	(Bag of 10)	0.10	20NM

NDS STANDARD SERIES VALVE BOXES – RESIDENTIAL/COMMERCIAL GRADE

NDS Standard Series 10" Round Valve Boxes

Specifications: The NDS STANDARD SERIES 10" round body is tapered and has a minimum wall thickness of 0.200". The cover seat area has 6 structural support ribs on the underside of the seat, each with a minimum thickness of 0.250". The bottom of the body has a 0.500" flange. The 10" round cover has an average thickness of 0.250". The valve box has a 5/16" 304 Brass nut for the bolt-down as a standard feature.



Part No.	Description - Marking	Color (Box/Cover)	Pallet Qty.	Wt. Ea. lbs.	Product Class
Box & Cover					
111BC	10" Round Box, Round Overlapping Cover - ICV	Black/Green	180	3.00	20ND
111BCB	10" Round Box, Round Overlapping Bolt-Down Cover - ICV	Black/Green	180	3.00	20ND
111BC CTN	10" Round ICV Box and Cover	Black/Green	72	3.90	20ND
111BC SAND	10" Round Box, Round Overlapping Cover - ICV	Sand/Sand	180	3.00	20ND
111BCR	10" Round Box, Round Overlapping Cover - Reclaimed Water	Black/Purple	180	3.00	20ND
111BCGR	10" Round ICV Box and Cover	Black/Green	180	3.00	20NM
111PBCR	10" Round Box, Round Overlapping Cover - Reclaimed Water	Purple/Purple	180	3.00	20ND
111BCW	10" Round Box, Round Overlapping Cover - Water	Black/Green	180	3.00	20NM
111BCS	10" Round Box, Overlapping Cover - Sewer	Black/Green	180	3.00	20NM
111BCBS	10" Round Box, Overlapping Bolt-Down Cover - Sewer	Black/Green	180	3.00	20NM
Cover Only					
111C	10" Round Overlapping Cover - ICV	Green	300	1.00	20ND
111C SAND	10" Round Overlapping Cover - ICV	Sand	300	1.00	20ND
111CR	10" Round Overlapping Cover - Reclaimed Water	Purple	300	1.00	20ND
111CE-GY	10" Round Overlapping Cover - Electrical	Gray	300	1.00	20NM
111CW	10" Round Overlapping Cover - Water	Green	300	1.00	20NM
111CS	10" Round Overlapping Cover - Sewer	Green	300	1.00	20NM
Box Only					
111B	10" Round Box	Black	180	2.00	20NM
111B SAND	10" Round Box	Sand	180	2.00	20ND
111PB	10" Round Box	Purple	180	2.00	20ND
111BB	1-1/4" x 5/16" SS Bolt	Steel	(Bag of 10)	0.10	20ND
112B	10" Round Box	Green	180	2.00	20ND