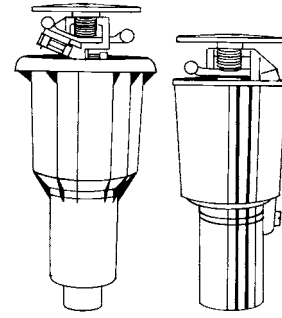
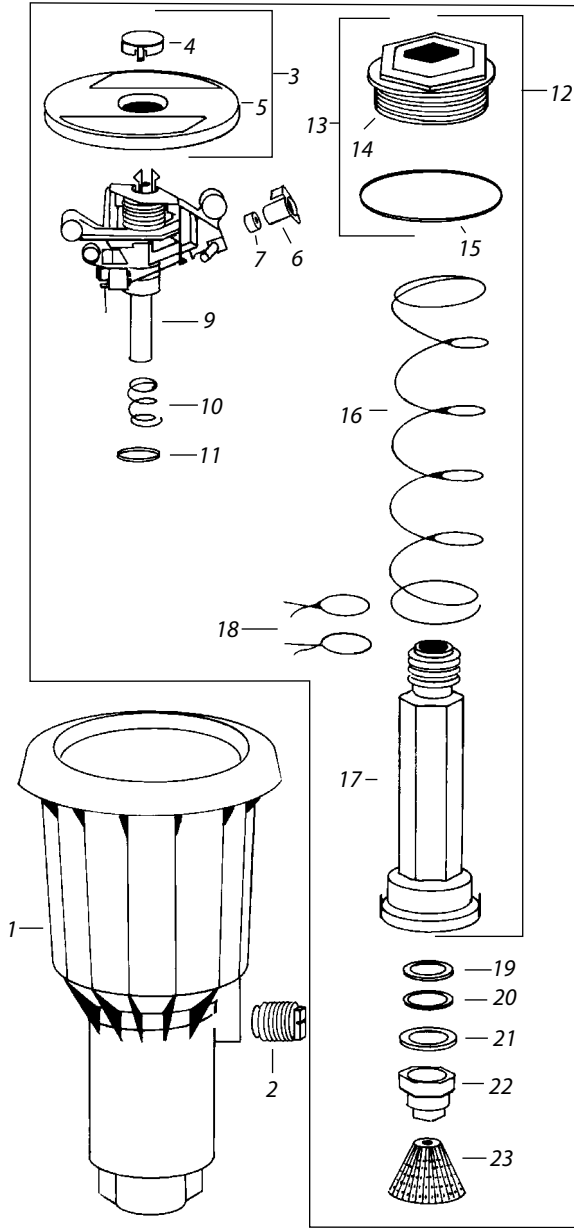


LG-3 / MG-4 / 15103-07/09 MINI-PAW[®]
AG-5 / AG-5-SAM / 2045A MAXI-PAW[™] / 2045A MAXI-PAW-



MAXI-PAW MINI-PAW

Ref. Part Description	LG-3 / MG-4	AG-5	AG-5 SAM
	Mini-Paw 15103-07/09	Maxi-Paw 2045A	Maxi-Paw-SAM 2045A-SAM
CASES			
1 Case Assembly	205175	(207281)	(207281)
2 Plug	107355	107355	107355
COVER ASSEMBLIES			
3 Cover Kit	206973	208001	208001
4 Dust Cap	(A) (204423-07)	(204423-12)	(204423-12)
5 Cover, Snap On	(A) (207301-03)	(207301-01)	(207301)
5 Cover, Non-potable	-	208002S	-
NOZZLES (Specify nozzle size when ordering)			
6 Low Angle Nozzle (C)	-	115902-xx	115902-xx
6 Standard Nozzle (D)	-	206592-xx	206592-xx
7 Vane	-	(202141)	(202141)
8 INTERNAL ASSEMBLY	(E) 206678	206644-08	206637-08
9 Head Assembly	(A) (206776)	206638-08	206638-08
- Diffuser Screw	203933	203933	203933
- Trip Spring	207740	207740	207740
- Bearing Hood	(B) (202965)	(B) (202965)	(B) (202965)
10 Uphrust Spring	(B) (203871)	(B) (203871)	(B) (203871)
11 Bearing Washer (Blue)	(B) (206071)	(B) (206071)	(B) (206071)
12 Pop-Up Sleeve Assembly	202415	202415	204400
13 Guide Nut Assembly	204555	204555	204555
14 Guide Nut	(202381)	(202381)	(202381)
15 O-Ring Seal	(202011)	(202011)	(202011)
16 Retract Spring	(202012)	(202012)	(204398)
17 Guide Sleeve	203171	203171	203171
18 Friction Collars (2)	203148	203148	203148
19 Buna N Washer (Black)	(B) (203363)	(B) (203363)	(B) (203363)
20 Wearing Washer (White)	(B) (204374)	(B) (204374)	(B) (204374)
21 Brg Backup Washer (Gray)	(B) (202138)	(B) (202138)	(B) (202138)
22 Nut, Maxi-Bird	(B) (202007)	(B) (202007)	(B) (202007)
23 Inlet Screen (Standard)	202076	202076	-
- SAM Screen/Seal Assembly	-	-	205396
- MINI-PAW WRENCH	B41866	B41866	B41866

(A) Included in Body Cover Assembly # 206974. (Specify nozzle size -07 or -09)

(B) Included in Bearing Washer Kit # 202190.

(C) Nozzle sizes available: -07, -10

(D) Nozzle sizes available: -06 Red, -07 Black, -08 Blue, -10 Yellow, -12 Beige

(E) Nozzle sizes available: -07, -09

Note: Part numbers enclosed in brackets () are not available individually, but may be sold in assemblies or kits.