



**Count on it.**

**Parts Catalog**

**EZ-Flo® Plus Series Valves**

Model No. EZ-Flo Plus Series



# Ordering Replacement Parts

To order replacement parts, please supply the part number, the quantity, and the description of each part desired.

## Understanding Reference Numbers

Each identified part in an illustration has a reference number. The reference number for a part also appears in the parts list, along with other information about the part.

This catalog uses two special reference number formats, one to indicate parts in a service assembly and another to indicate the quantity of a given part in an illustration.

## Service Assembly Reference Numbers

Parts in service assemblies have reference numbers in the form a:b. The a represents the reference number of the entire service assembly and the b represents a sequential number unique to each part within the service assembly.

For example, a wheel assembly might be identified by reference number 6, the tire by 6:1, the valve by 6:2, and the wheel by 6:3. When you order the assembly identified by reference number 6, you receive all parts identified by reference numbers 6:1, 6:2, and 6:3. However, you may also order any part individually. Reference numbers of this type appear in illustration and in parts lists.

## Reference Numbers Indicating Quantity

In an illustration, if a reference number indicates more than one part, the reference number has the form nX y. The n represents the quantity of the part, the X is the multiplication symbol, and the y represents the reference number.

For example, in an illustration, the reference number 2X 37 means that two of the parts identified by reference number 37 are indicated.

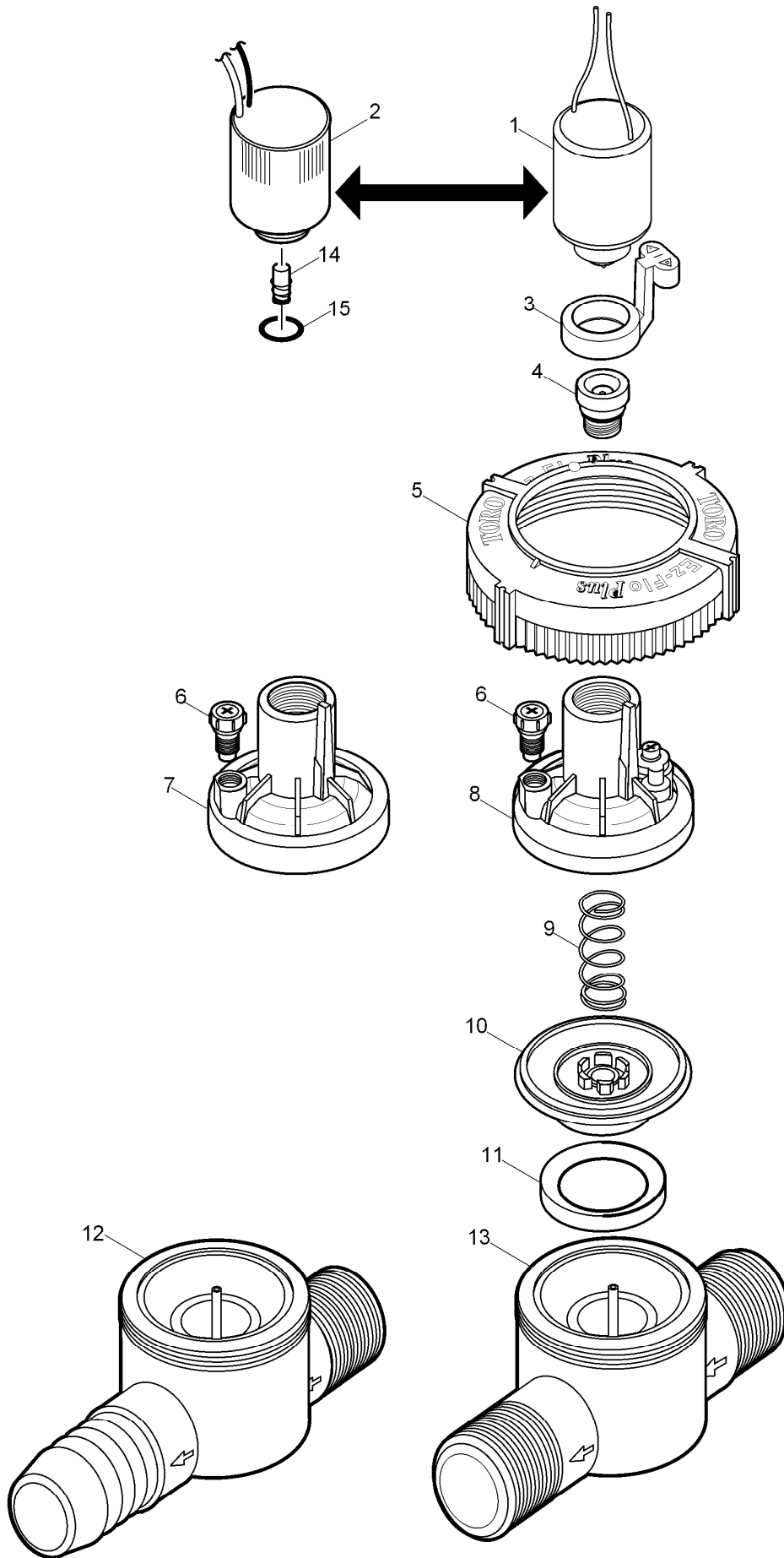
# List of Abbreviations

<b>AR:</b> as required	<b>HLH:</b> hex lag head	<b>PTO:</b> power-take-off
<b>ASM:</b> assembly	<b>HOC:</b> height-of-cut	<b>RH:</b> right hand
<b>BBC:</b> blade brake control	<b>HSBH:</b> hex socket button head	<b>ROPS:</b> roll-over protection system
<b>BHTF:</b> button head thread forming	<b>HSFH:</b> hex socket flat head	<b>RRB:</b> rear roller brush
<b>CARR:</b> carriage	<b>HSH:</b> hex socket head	<b>SFH:</b> slotted fillister head
<b>CCW:</b> counter clockwise	<b>HWH:</b> hex washer head	<b>SHH:</b> slotted hex head
<b>CW:</b> clockwise	<b>HWHTF:</b> hex washer head thread forming	<b>SHWH:</b> slotted hex washer head
<b>DEG:</b> degrees	<b>HYD:</b> hydraulic	<b>SPH:</b> slotted pan head
<b>DPA:</b> Dual Point Adjustment	<b>LH:</b> left hand	<b>SQH:</b> square head
<b>ECM:</b> electronic control module	<b>LP:</b> Liquefied Petroleum Gas	<b>SRH:</b> slotted round head
<b>EXT:</b> external	<b>LPG:</b> Liquefied Petroleum Gas	<b>STD:</b> standard
<b>FH:</b> flat head	<b>NI:</b> nylon insert	<b>TAP:</b> self tapping
<b>GA:</b> gauge	<b>NPTF:</b> national pipe thread fine	<b>TTH:</b> torx truss head
<b>HD:</b> heavy-duty	<b>PFH:</b> phillips flat head	
<b>HF:</b> hex flange	<b>PPH:</b> phillips pan head	
<b>HH:</b> hex head	<b>PPHTF:</b> phillips pan head thread forming	
<b>HHF:</b> hex head flange	<b>PRH:</b> phillips round head	
<b>HHFTF:</b> hex head flange thread forming	<b>PTH:</b> phillips truss head	
<b>HJ:</b> hex jam		

# Contents

EZ-Flo Plus Series, 1 Inch Male..... 4  
EZ-Flo Plus Series, 1 Inch Female ..... 6  
EZ-Flo Plus Series, 1 Inch Angle..... 8  
EZ-Flo Plus AVB Series, 3/4 Inch and 1 Inch..... 10

# EZ-Flo Plus Series, 1 Inch Male

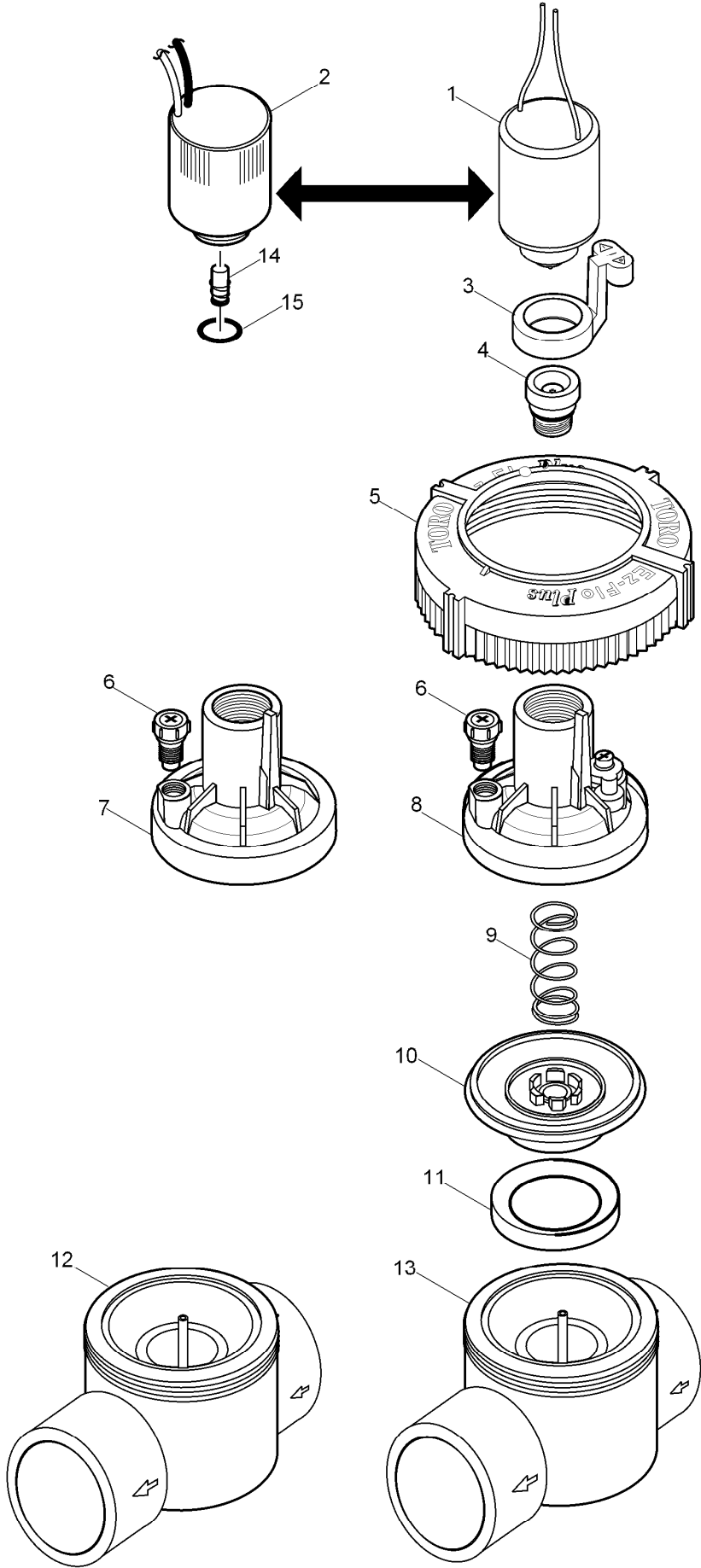


## EZ-Flo Plus Series, 1 Inch Male (continued)

<i>Ref.</i>	<i>Part Number</i>	<i>Qty.</i>	<i>Description</i>	<i>Ref.</i>	<i>Part Number</i>	<i>Qty.</i>	<i>Description</i>
1	118-5982	1	Solenoid Assy. With Plunger, 24 Vac, 60 Hz	9	204A-37	1	Spring
1	102-7054	1	Solenoid Assy. With Plunger, 24 Vac, 50 Hz	10	138802	1	Diaphragm Assy.
2	102-2709	1	Solenoid Assy., 24Vdc, Latching	11	1116602	1	Divider (P/N 1116602 Divider [brown] Will Be Changed To P/N 1116601 [black])
3	1081501	1	Handle, Bleed Plug	12		1	Body Assy., 1", M X B, Npt ●
4	102-5593	1	Bleed Plug Assy.	13		1	Body Assy., 1", M X M, Npt ●
5	102-1717	1	Cover Nut	14	89-9562	1	Plunger Assy.
6	1081401	1	External Bleed Screw	15	360-0220	1	O-Ring (0.070 X 0.551 X 0.691) (As568-015)
7	512203	1	Cover Assy. (W/O Flow Control)				
8	1115004	1	Cover Assy. (For Flow Control Models)				

● Not serviced separately

# EZ-Flo Plus Series, 1 Inch Female

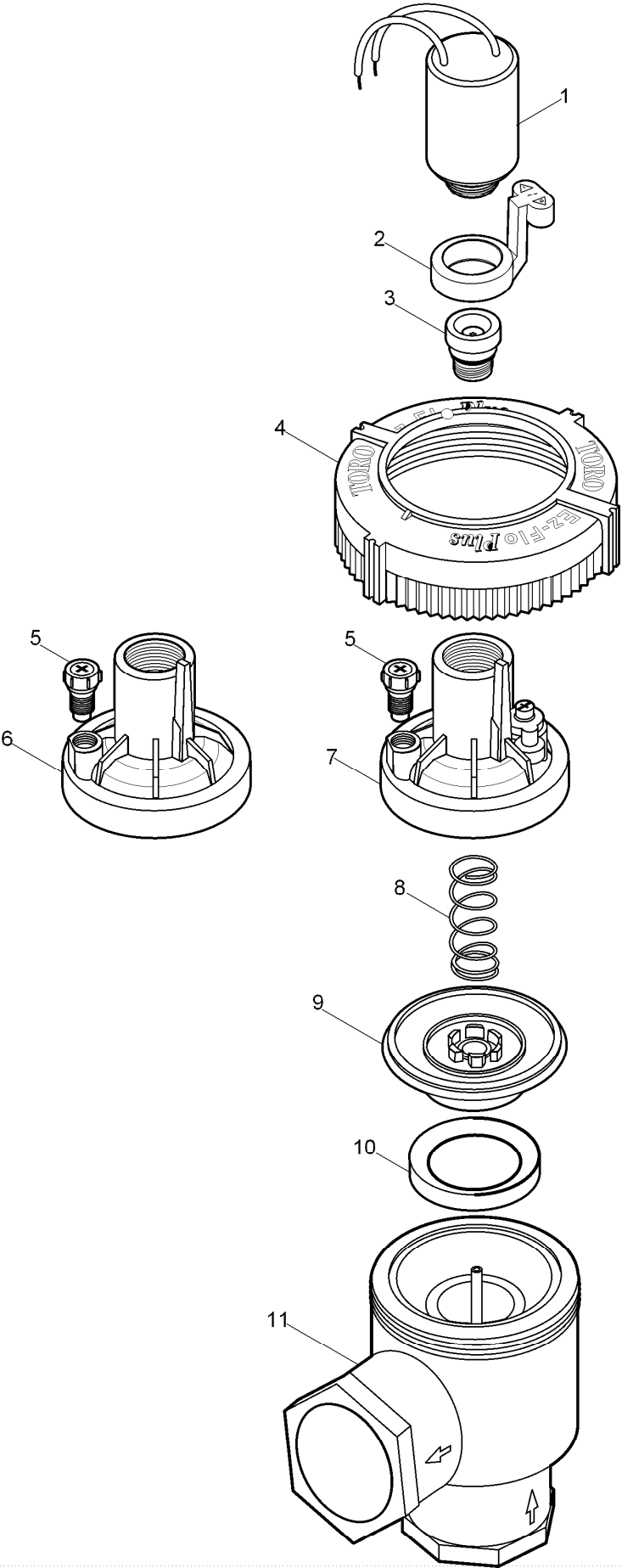


## EZ-Flo Plus Series, 1 Inch Female (continued)

<i>Ref.</i>	<i>Part Number</i>	<i>Qty.</i>	<i>Description</i>	<i>Ref.</i>	<i>Part Number</i>	<i>Qty.</i>	<i>Description</i>
1	118-5982	1	Solenoid Assy. With Plunger, 24 Vac, 60 Hz	8	1115004	1	Cover Assy. (For Flow Control Models)
1	102-7054	1	Solenoid Assy. With Plunger, 24 Vac, 50 Hz	9	204A-37	1	Spring
2	102-2709	1	Solenoid Assy., 24Vdc, Latching	10	138802	1	Diaphragm Assy.
3	1081501	1	Handle, Bleed Plug	11	1116601	1	Divider
4	102-5593	1	Bleed Plug Assy.	12		1	Body Assy., 1", F X F, Slip ●
5	102-1717	1	Cover Nut	13		1	Body Assy., 1", F X F, Npt ●
6	1081401	1	External Bleed Screw	14	89-9562	1	Plunger Assy.
7	512203	1	Cover Assy. (W/O Flow Control)	15	360-0220	1	O-Ring (0.070 X 0.551 X 0.691) (As568-015)

● Not serviced separately

# EZ-Flo Plus Series, 1 Inch Angle



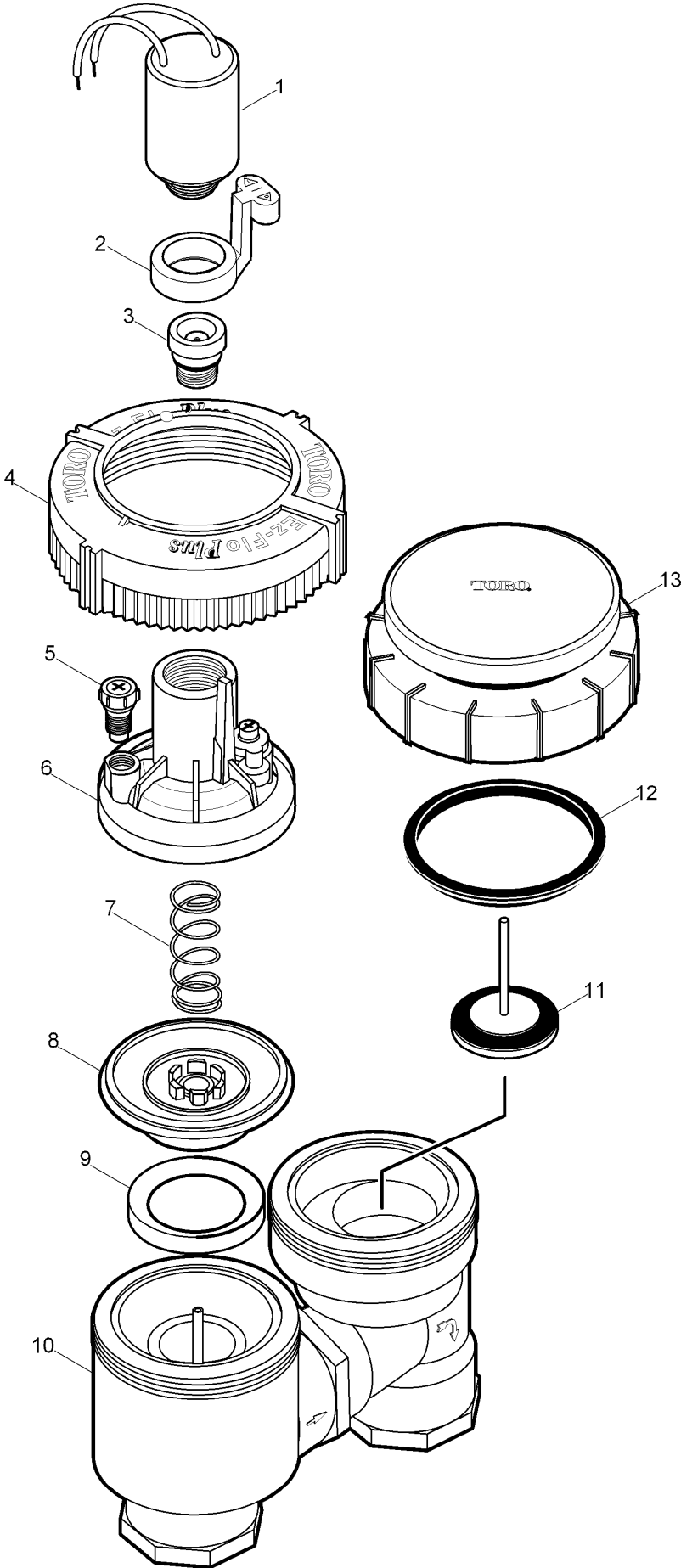


## EZ-Flo Plus Series, 1 Inch Angle (continued)

<i>Ref.</i>	<i>Part Number</i>	<i>Qty.</i>	<i>Description</i>	<i>Ref.</i>	<i>Part Number</i>	<i>Qty.</i>	<i>Description</i>
1	118-5982	1	Solenoid Assy. With Plunger, 24 Vac, 60 Hz	6	512203	1	Cover Assy. (W/O Flow Control)
1	102-7054	1	Solenoid Assy. With Plunger, 24 Vac, 50 Hz	7	1115004	1	Cover Assy. (For Flow Control Models)
2	1081501	1	Handle, Bleed Plug	8	204A-37	1	Spring
3	102-5593	1	Bleed Plug Assy.	9	138802	1	Diaphragm Assy.
4	102-1717	1	Cover Nut	10	1116601	1	Divider
5	1081401	1	External Bleed Screw	11		1	Body Assy., 1", F X F, Npt ●

● Not serviced separately

# EZ-Flo Plus AVB Series, 3/4 Inch and 1 Inch



## EZ-Flo Plus AVB Series, 3/4 Inch and 1 Inch (continued)

<i>Ref.</i>	<i>Part Number</i>	<i>Qty.</i>	<i>Description</i>	<i>Ref.</i>	<i>Part Number</i>	<i>Qty.</i>	<i>Description</i>
1	118-5982	1	Solenoid Assy. With Plunger, 24 Vac, 60 Hz	9	1116602	1	Divider (P/N 1116602 Divider [brown] Will Be Changed To P/N 1116601 [black])
1	102-7054	1	Solenoid Assy. With Plunger, 24 Vac, 50 Hz				
2	1081501	1	Handle, Bleed Plug	10		1	Body Assy, 3/4", Npt ●
3	102-1197	1	Bleed Plug Assy., New	10		1	Body Assy, 1", Npt ●
4	102-1717	1	Cover Nut	11	1088001	1	Stem Assy., 3/4"
5	1081401	1	External Bleed Screw	11	1018601	1	Stem Assy., 1"
6	1115004	1	Cover Assy. (For Flow Control Models)	12	595901	1	Seal, Anti-Siphon Cover, 3/4"
7	204A-37	1	Spring	12	655401	1	Seal, Anti-Siphon Cover, 1"
8	138802	1	Diaphragm Assy.	13	217107-H	1	Shield/Cover Assy., 3/4"
				13	519111	1	Shield/Cover Assy., 1"

● Not serviced separately



**Count on it.**