



**Count on it.**

**Parts Catalog**

**250 Series Valve**

Model No. 250 Series Valves



# Ordering Replacement Parts

To order replacement parts, please supply the part number, the quantity, and the description of each part desired.

## Understanding Reference Numbers

Each identified part in an illustration has a reference number. The reference number for a part also appears in the parts list, along with other information about the part.

This catalog uses two special reference number formats, one to indicate parts in a service assembly and another to indicate the quantity of a given part in an illustration.

## Service Assembly Reference Numbers

Parts in service assemblies have reference numbers in the form a:b. The a represents the reference number of the entire service assembly and the b represents a sequential number unique to each part within the service assembly.

For example, a wheel assembly might be identified by reference number 6, the tire by 6:1, the valve by 6:2, and the wheel by 6:3. When you order the assembly identified by reference number 6, you receive all parts identified by reference numbers 6:1, 6:2, and 6:3. However, you may also order any part individually. Reference numbers of this type appear in illustration and in parts lists.

## Reference Numbers Indicating Quantity

In an illustration, if a reference number indicates more than one part, the reference number has the form nX y. The n represents the quantity of the part, the X is the multiplication symbol, and the y represents the reference number.

For example, in an illustration, the reference number 2X 37 means that two of the parts identified by reference number 37 are indicated.

# List of Abbreviations

**AR:** as required

**ASM:** assembly

**BBC:** blade brake control

**BHTF:** button head thread forming

**CARR:** carriage

**CCW:** counter clockwise

**CW:** clockwise

**DEG:** degrees

**DPA:** Dual Point Adjustment

**ECM:** electronic control module

**EXT:** external

**FH:** flat head

**GA:** gauge

**HD:** heavy-duty

**HF:** hex flange

**HH:** hex head

**HHF:** hex head flange

**HHFTF:** hex head flange thread forming

**HJ:** hex jam

**HLH:** hex lag head

**HOC:** height-of-cut

**HSBH:** hex socket button head

**HSFH:** hex socket flat head

**HSH:** hex socket head

**HWH:** hex washer head

**HWTF:** hex washer head thread forming

**HYD:** hydraulic

**LH:** left hand

**LPG:** Liquid Propane Gas

**NI:** nylon insert

**NPTF:** national pipe thread fine

**PFH:** phillips flat head

**PPH:** phillips pan head

**PPHTF:** phillips pan head thread forming

**PRH:** phillips round head

**PTH:** phillips truss head

**PTO:** power-take-off

**RH:** right hand

**ROPS:** roll-over protection system

**RRB:** rear roller brush

**SFH:** slotted fillister head

**SHH:** slotted hex head

**SHWH:** slotted hex washer head

**SPH:** slotted pan head

**SQH:** square head

**SRH:** slotted round head

**STD:** standard

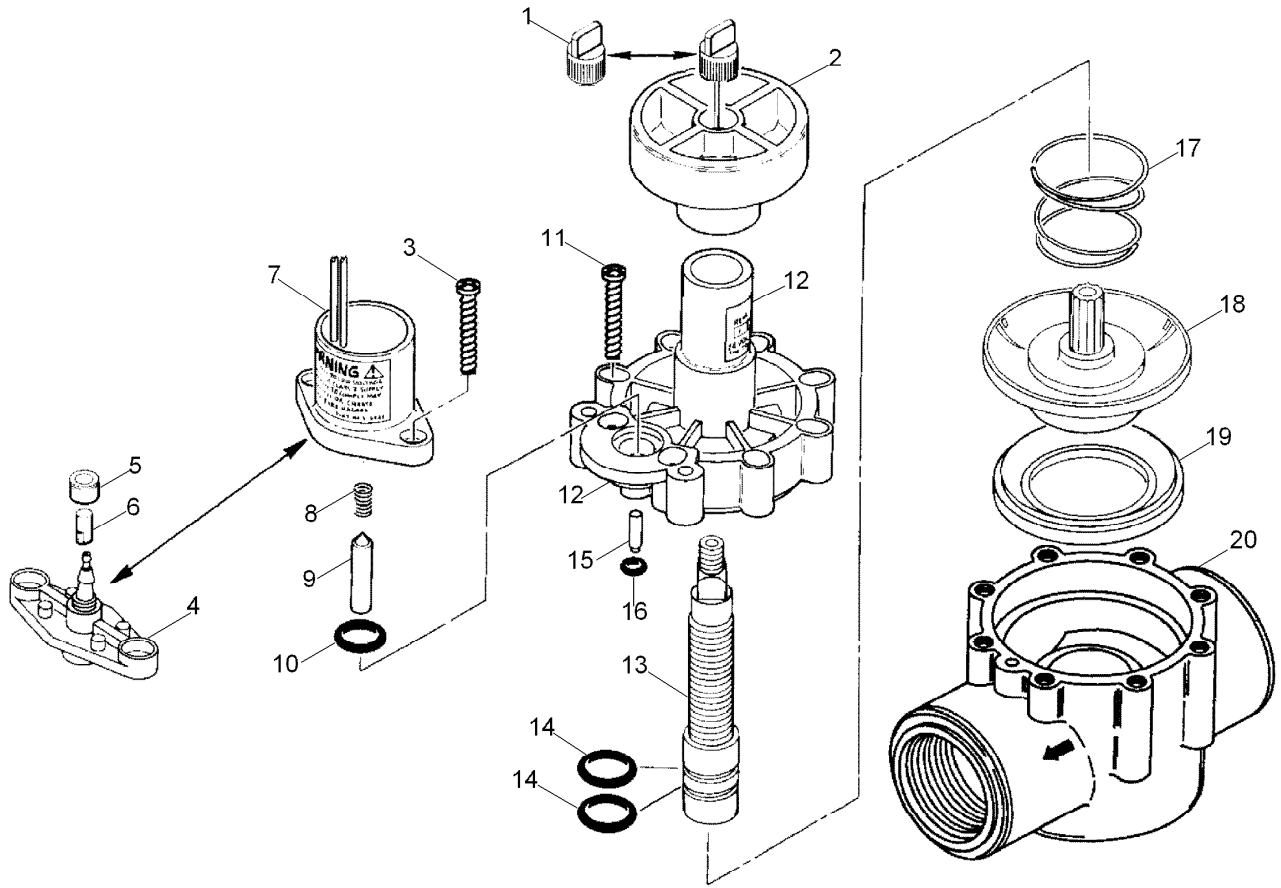
**TAP:** self tapping

**TTH:** torx truss head

# Contents

250 Series, 1 Inch Valve ..... 4

# 250 Series, 1 Inch Valve



## 250 Series, 1 Inch Valve (continued)

<i>Ref.</i>	<i>Part Number</i>	<i>Qty.</i>	<i>Description</i>	<i>Ref.</i>	<i>Part Number</i>	<i>Qty.</i>	<i>Description</i>
1	35-4521	1	Bleed Cap ASM, W/ Pin, El, Fast Closing	17	9-4425	1	Spring, Diaphragm, Pt
1	35-1748	1	Bleed Cap ASM, W/O Pin, No And Pt	17	9-7110	1	Spring, Diaphragm, El And No
1	89-7855	1	Bleed Cap ASM, W/O Pin, No And Pt, Effluent	18	35-2943	1	Diaphragm Assy., 1", No Hyd
2	35-3777	1	Knob, Handle, Cross	18	35-2824	1	Diaphragm ASM, 1", El
3	363-1493	2	Screw, #10 X 1	18	35-3655	1	Diaphragm Assy., 1", Pt
4	35-3776	1	Adapter Assy., No	19	9-6331	1	Support, Diaphragm
5	900-40	1	Retainer, Tube, Pr And Cr □	20		1	Body Assy., In-Line Globe, Npt ▲
6	89-8157	1	Cap, 1/4", Poly, No	20	35-1970	1	Body Assy., In-Line Globe, Bsp
7		1	Solenoid Assy., El (See Service Item 89-0878) ▲		89-0878		Solenoid And Plunger Assy., El (Includes Items 7-9) ●■
8	9-6148	1	Spring-Plunger, Solenoid, El		35-3503		Diaphragm ASM, El, Service Kit ◆■
9	9-6527	1	Plunger Assy., El				Screen, Filter, 3/4" (Use With 35-3503 Diaphragm Assy) ●■▲
10	2-9652	1	O-Ring, 7/16" X 5/8", No (As568-111)		9-6548		Plug, Communication, Diaphragm (Use With 35-3655 Diaphragm Assy., Pt) ●■
11	363-1493	8	Screw, #10 X 1				Cap, Valve, W/Fc, El (Includes Items 12-14) ●■
12		1	Cap Assy., El (See Service Item 9-8182) ▲		35-0767		Cap Assy., No Nd Pt (Includes Items 12-14) ●■
12		1	Cap Assy., No & Pt (See Service Item 35-0767) ▲		35-9346		Bleed Cap ASM, W/Pin, Slow-Closing ●■
13	35-1983	1	Stem-Flow Control				
14	360-0220	2	O-Ring (0.070 X 0.551 X 0.691) (As568-015)				
15	3-2016	1	Shaft, Idler, Lower, No And Pt				
16	1-2035	1	O-Ring, El, Pr And Cr (0.070" X 0.114" X 0.254") (As568-006)				

● SERVICE ITEMS

▲ Not serviced separately

□ Order Through Finished Goods Distribution System - Minneapolis

■ Not illustrated

◆ (See Service Items: Nozzle/Stator Assy.)

**Notes:**

**Notes:**



**Count on it.**