



Count on it.

Parts Catalog

**Valve Actuators and Regulators
- Pressure Regulator, 2-way
Actuator, 3-way Actuator,
3-way Actuator-Normally
Closed, Manual Actuator and
Electric-Hydraulic Converter**

Model No. VALVE ACTUATORS



Ordering Replacement Parts

To order replacement parts, please supply the part number, the quantity, and the description of each part desired.

Understanding Reference Numbers

Each identified part in an illustration has a reference number. The reference number for a part also appears in the parts list, along with other information about the part.

This catalog uses two special reference number formats, one to indicate parts in a service assembly and another to indicate the quantity of a given part in an illustration.

Service Assembly Reference Numbers

Parts in service assemblies have reference numbers in the form a:b. The a represents the reference number of the entire service assembly and the b represents a sequential number unique to each part within the service assembly.

For example, a wheel assembly might be identified by reference number 6, the tire by 6:1, the valve by 6:2, and the wheel by 6:3. When you order the assembly identified by reference number 6, you receive all parts identified by reference numbers 6:1, 6:2, and 6:3. However, you may also order any part individually. Reference numbers of this type appear in illustration and in parts lists.

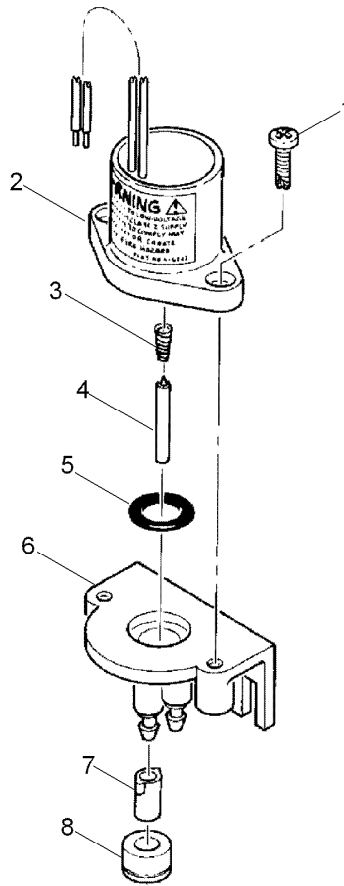
Reference Numbers Indicating Quantity

In an illustration, if a reference number indicates more than one part, the reference number has the form nX y. The n represents the quantity of the part, the X is the multiplication symbol, and the y represents the reference number.

For example, in an illustration, the reference number 2X 37 means that two of the parts identified by reference number 37 are indicated.

Contents

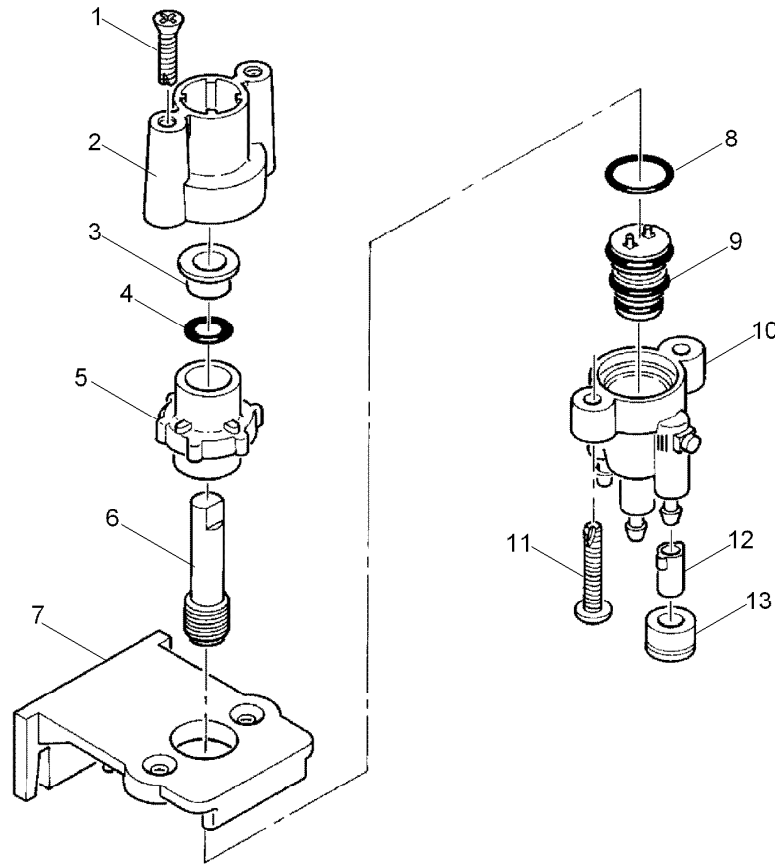
2-Way Pilot Valve	4
Manual Valve Actuator	5
3-Way Actuator	6
3-Way Actuator, (NC)	7
Electric-Hydraulic Converter Module Assembly	8



2-Way Pilot Valve

<i>Ref.</i>	<i>Part Number</i>	<i>Qty.</i>	<i>Description</i>
1	360-0715	2	Screw, Tap, #10
2	89-0878	1	Solenoid And Plunger Assy., EI (Includes Items 2-4)
3	9-6148	1	Spring-Plunger, Solenoid, EI
4	9-6527	1	Plunger Assy., EI
5	2-9652	1	O-Ring, 7/16" X 5/8", No (As568-111)
6	9-8280	1	Body Assy., Valve
7	89-8157	2	Cap, 1/4", Poly, No
8	900-40	2	Retainer, Tube, Pr And Cr ●

● Order Through Finished Goods Distribution System - Minneapolis

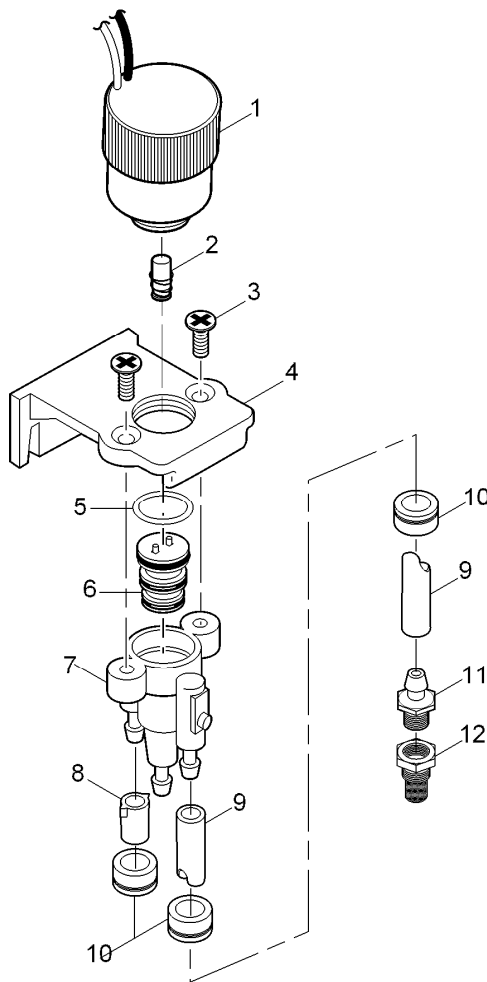


Manual Valve Actuator

Ref.	Part Number	Qty.	Description
1		2	Screw, Tap, #8 ●
2		1	Adapter (Includes Item 3) ●
3		1	Retainer, O-Ring ●
4	2-9652	1	O-Ring, 7/16" X 5/8", No (As568-111)
5		1	Cap ●
6		1	Stem, Control ●
7		1	Bracket, Mounting ●
8	360-0220	1	O-Ring (0.070 X 0.551 X 0.691) (As568-015)
9	102-5599	1	Actuator Assy. (Includes O-Rings)
10	35-0992	1	Body Assy., Pilot Valve
11		2	Screw, Tap, #8 ●
12	89-8157	3	Cap, 1/4", Poly, No
13	900-40	3	Retainer, Tube, Pr And Cr ■

● Not serviced separately

■ Order Through Finished Goods Distribution System - Minneapolis



3-Way Actuator

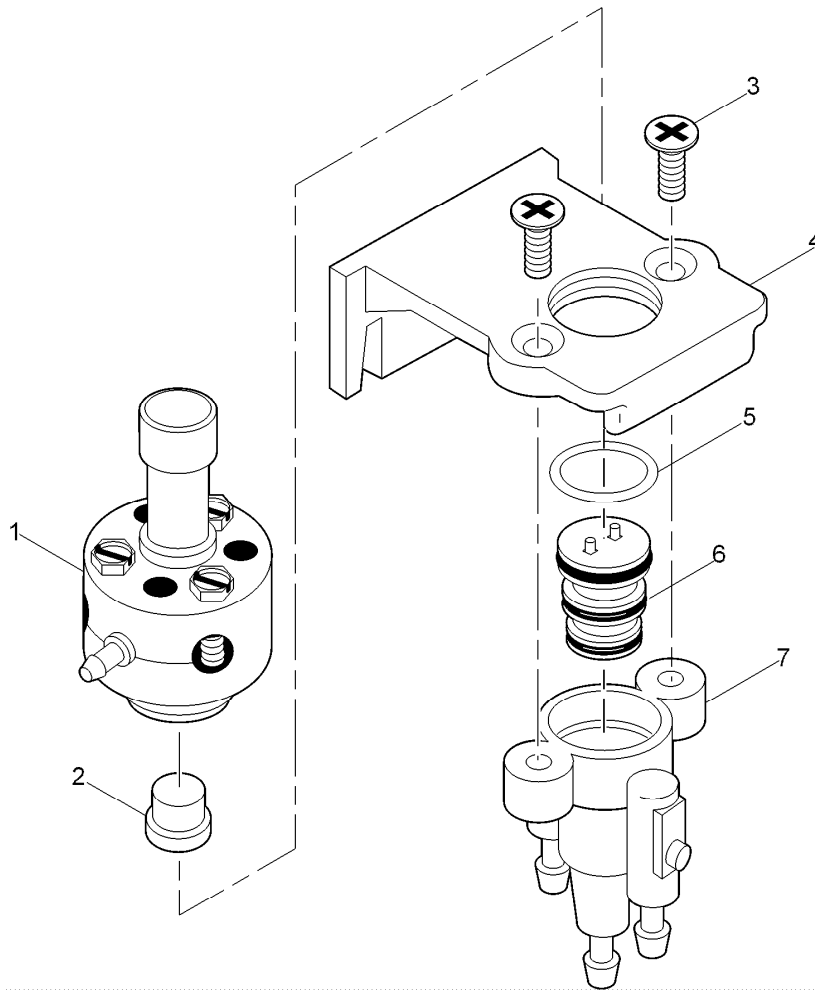
Ref.	Part Number	Qty.	Description
1	89-1673	1	Solenoid ASM
2	118-0262	1	Plunger Assy. With Spring, EI
3		2	Screw, Machine, 10-24 X 1/2" ▲
4		1	Bracket, Mounting ▲
5	360-0220	1	O-Ring (0.070 X 0.551 X 0.691) (As568-015)
6	102-5599	1	Actuator Assy. (Includes O-Rings)
7	35-0992	1	Body Assy., Pilot Valve (Used With 286-66-01)
8	89-8157	1	Cap, 1/4", Poly, No (Used With 286-66-01)
9		1	Tube, 1/4" X 36" (Used With 286-66-01) ▲
10	900-40	3	Retainer, Tube, Pr And Cr (Used With 286-66-01) ◆
11	89-8157	1	Cap, 1/4", Poly, No (Used With 286-66-01)
12	995-14	1	Fitting, Screen (Used With 286-66-01)
	35-4603		Kit, Service Assy. (Includes Items 3-7) (Used With 286-66-01) ●■
	35-4602		Kit, Service Assy. (Includes Items 3-7) (Use With 9-8482) ●■

● SERVICE ITEMS

▲ Not serviced separately

◆ Order Through Finished Goods Distribution System - Minneapolis

■ Not illustrated

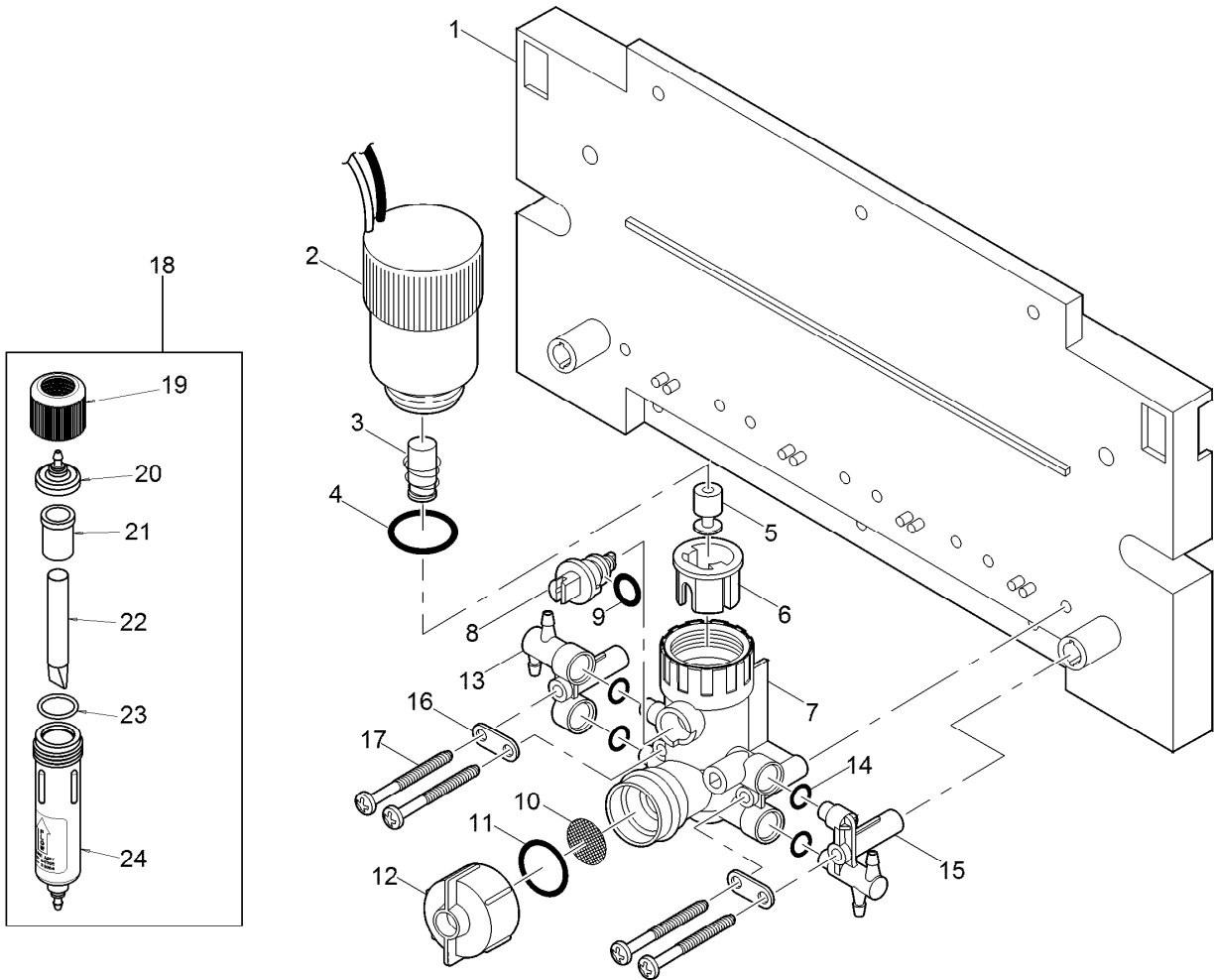


3-Way Actuator, (NC)

Ref.	Part Number	Qty.	Description
1	89-6005		Adapter-Pilot Valve, NC
2			Shuttle ▲
3			Screw, Machine, 10-24 X 1/2" ▲
4			Bracket, Mounting ▲
5	360-0220		O-Ring (0.070 X 0.551 X 0.691) (As568-015)
6	102-5599		Actuator Assy. (Includes O-Rings)
7		1	Body Assy., Pilot Valve ▲
	35-4603		Kit, Service Assy. (Includes Items 3-7) ● ■

● SERVICE ITEMS
▲ Not serviced separately

■ Not illustrated



Electric-Hydraulic Converter Module Assembly

Ref.	Part Number	Qty.	Description	Ref.	Part Number	Qty.	Description
1	89-1662	1	Baseplate	12	102-4638	4	Cap, Filter
2	89-5985	4	Solenoid Assy.	12	89-8205	4	Cap Assy., Blind
3	118-0262	4	Plunger Assy. With Spring, EI	13	102-4641	1	Tee, Female
4	360-0220	4	O-Ring (0.070 X 0.551 X 0.691) (As568-015)	14	2-9654	10	O-Ring
5	102-5359	4	Plunger, Shuttle	15	102-4642	1	Tee, Male
6	102-5360	4	Sleeve	16	89-1675	2	Strap, Tie
7	89-8203	4	Body Assy., No With White Pins On Actuator	17	363-3158	7	Screw, #6 X 1.25"
7	89-8204	4	Body Assy., NC With Black Pins On Actuator	18	9-8364	1	Filter Assy. (Includes Items 19-24)
8	102-4636	4	Stem, Manual, No (White)	19	9-8276	1	Collar, Filter
8	102-4637	4	Stem, Manual, NC (Black)	20	35-9948	1	Filter Cap W/ Fitting, 1/4 Inch
9	360-0497	4	O-Ring	21	9-8279	1	Mount, Filter Screen
10	89-0371	4	Screen, Filter	22	9-6415	1	Filter Screen, Fine Mesh
11	360-0402	4	O-Ring	23	360-0487	1	O-Ring, Filter
				24	35-9948	1	Filter Body, 1/4 Inch

Notes:

Notes:

Notes:



Count on it.