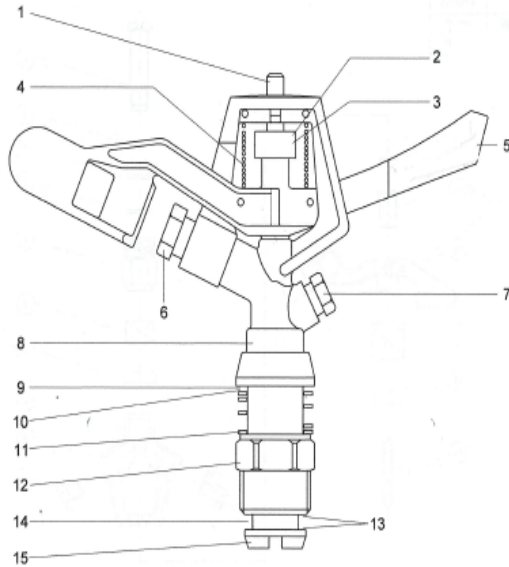




# 3/4" Brass Full-Circle Impact Sprinkler (I75)



No.	Parts
1	Fulcrum Pin
2	Dust Cap
3	Arm Washer
4	Arm Spring
5	Arm
6	Nozzle
7	Back Nozzle
8	Body
9	Hood Washer
10	Spring Hood
11	Pressure Spring
12	Sleeve Assembly
13	Washer Rubber
14	Thrust Washer
15	Bearing Nipple

## Operating Range

- Pressure 30 to 80 PSI
- GPM 2.60 to 22.10
- Spacing 40' to 70' radius

## Specifications

Nozzle x Plug PSI	5/32" GPM / DIAM	11/64" GPM / DIAM	3/16" GPM / DIAM	7/32" GPM / DIAM
25	3.30 / 80	4.10 / 80	4.80 / 80	6.70 / 82
30	3.70 / 81	4.50 / 82	5.30 / 81	7.40 / 83
35	4.00 / 82	4.90 / 83	5.80 / 82	8.10 / 84
40	4.30 / 83	5.20 / 84	6.20 / 83	8.70 / 85
45	4.60 / 84	5.50 / 85	6.60 / 84	9.20 / 86
50	4.90 / 85	5.80 / 86	7.00 / 85	9.70 / 87
55	5.10 / 86	6.10 / 87	7.30 / 86	10.10 / 87
60	5.30 / 88	6.30 / 88	7.60 / 87	10.50 / 88

## Features

- 25° trajectory
- Stainless steel parts
- Opposing nozzle ports
- Full circle coverage
- Highest point of stream is 8' above nozzle
- Standard single main nozzle with opposing side plugged

Nozzle PSI	3/16" x 3/32"		5/32" x 3/32"		11/64" x 3/32"		9/64" x 3/32"	
	DIAM	GPM	DIAM	GPM	DIAM	GPM	DIAM	GPM
25	85	6.20	82	4.7	83	5.5	76	4.1
30	89	6.80	83	5.2	87	6.0	77	4.5
35	92	7.40	84	5.6	89	6.5	78	4.9
40	94	8.00	85	6.0	90	7.0	79	5.3
45	95	8.50	86	6.8	91	7.4	80	5.6
50	97	9.00	87	7.1	92	7.8	81	6.0
55	98	9.50	88	7.4	93	8.1	82	6.2
60	99	9.90	89	7.7	94	8.4	83	6.4