

LEAD FREE*

MasterSeries® LF860 Reduced Pressure Zone Backflow Prevention Assemblies

Size: 2½" - 10" (65mm - 250mm)

The FEBCO MasterSeries LF860 Reduced Pressure Zone Assembly is specifically designed to protect against possible backpressure and backsiphonage conditions for high hazard [i.e., toxic] application in accordance with Local Governing Water Utility Code. This Backflow Prevention Assembly is primarily used on potable drinking water systems where Local Governing Code mandates protection from non-potable water being pumped or siphoned back into the potable water system.

The LF860 features Lead Free* construction to comply with low lead installation requirements. The Lead Free* Reduced Pressure Zone Assemblies shall comply with state codes and standards, where applicable, requiring reduced lead content.

Features

- Inline Serviceable Assembly
- No Special Tools Required for Servicing
- Captured Modular Spring Assembly
- Reversible & Replaceable Discs
- Field Replaceable Seats
- Ductile Iron Valve Body Design
- Stainless Steel Check Components
- Modular Pressure Differential Relief Valve
- Repairable Pressure Differential Relief Valve
- Clapper Check Assembly
- Captured O-ring Design



Series LF860 Reduced Pressure Zone Assembly

Specifications

The FEBCO MasterSeries LF860 Reduced Pressure Zone Assembly shall be installed on the potable water supply and at each point of cross-connection to protect against possible backpressure and backsiphonage conditions for high hazard [i.e., toxic] applications. The assembly shall consist of a main line valve body composed of a pressure differential relief valve located in a zone between two (2) independently acting approved clapper style check modules with replaceable seats and disc rubbers. Servicing of the pressure differential relief valve and both check modules does not require any special tools; both check modules are accessed through independently top entry covers. This assembly shall be fitted with AWWA Compliant inlet/outlet resilient seated shutoff valves; when used on a Fire-Sprinkler application, the assembly shall be fitted with approved UL/FM inlet/outlet resilient seated shutoff valves and contain four (4) properly located resilient seated test cocks as specified by AWWA Standard C511. Flow and pressure loss performance parameters shall meet the requirements of AWWA Standard C511.

NOTICE

This information is not intended to replace the product installation and safety information available or the experience of a trained product installer. Please refer to the product installation and safety instructions for further information.

*The wetted surface of this product contacted by consumable water contains less than 0.25% of lead by weight.

Job Name _____

Contractor _____

Job Location _____

Approval _____

Engineer _____

Contractor's P.O. No. _____

Approval _____

Representative _____

FEBCO product specifications in U.S. customary units and metric are approximate and are provided for reference only. For precise measurements, please contact FEBCO. FEBCO reserves the right to change or modify product design, construction, specifications, or materials without prior notice and without incurring any obligation to make such changes and modifications on FEBCO products previously or subsequently sold.

Options - Suffix

OSY: UL/FM Approved OS&Y Gate Valves
(ANSI/AWWA C515 Compliant)

NRS: Non-Rising Stem Gate Valves
(ANSI/AWWA C509 Compliant)

LG: Less Shut-off valves; This is NOT an APPROVED ASSEMBLY

Example Ordering Descriptions:

4" LF860-OSY - Valve Assembly fitted with OS&Y Shutoff Valves

4" LF860-NRS - Valve Assembly fitted with NRS Shutoff Valves

Assembly Flow Orientation:

- Horizontal (2½" - 10") - Approved by FCCCHR-USC, ASSE, cULus, FM, IAPMO and CSA

Approvals - Standards

- Approved by the Foundation for Cross-Connection Control and Hydraulic Research at The University of Southern California (FCCCHR-USC)
- ASSE 1013 Listed
- **UL Classified (US & Canada)
- **FM Approved
- IAPMO
- AWWA Standard C511 Compliant
- End Connections: Compliant to ASME B16.1 Class 125 & AWWA Class D Flange

**Assembly configured with UL/FM Approved OS&Y RW Gate Valves. Less gate valve assemblies are not UL/FM approved configurations.



Materials

Below is a general materials list of the Series LF860. All assemblies size 2-1/2" through 10" is similar in materials and construction. Please contact your local FEBCO Representative if you require further information.

Main Valve Body: Ductile iron Grade 65-45-12

Relief Valve Body: Ductile iron Grade 65-45-12

Coating: Fusion epoxy coated internal and external
AWWA C550

Shutoff Valves: NRS resilient wedge gate valve AWWA C509
(Standard)
OSY resilient wedge gate valve AWWA C515 (UL/FM)

Check Seats: Stainless Steel

Disc Holder: Stainless Steel

Elastomer Disc: Silicone

Spring: Stainless Steel

Clamp: AWWA C606 (10" Only)

Pressure - Temperature

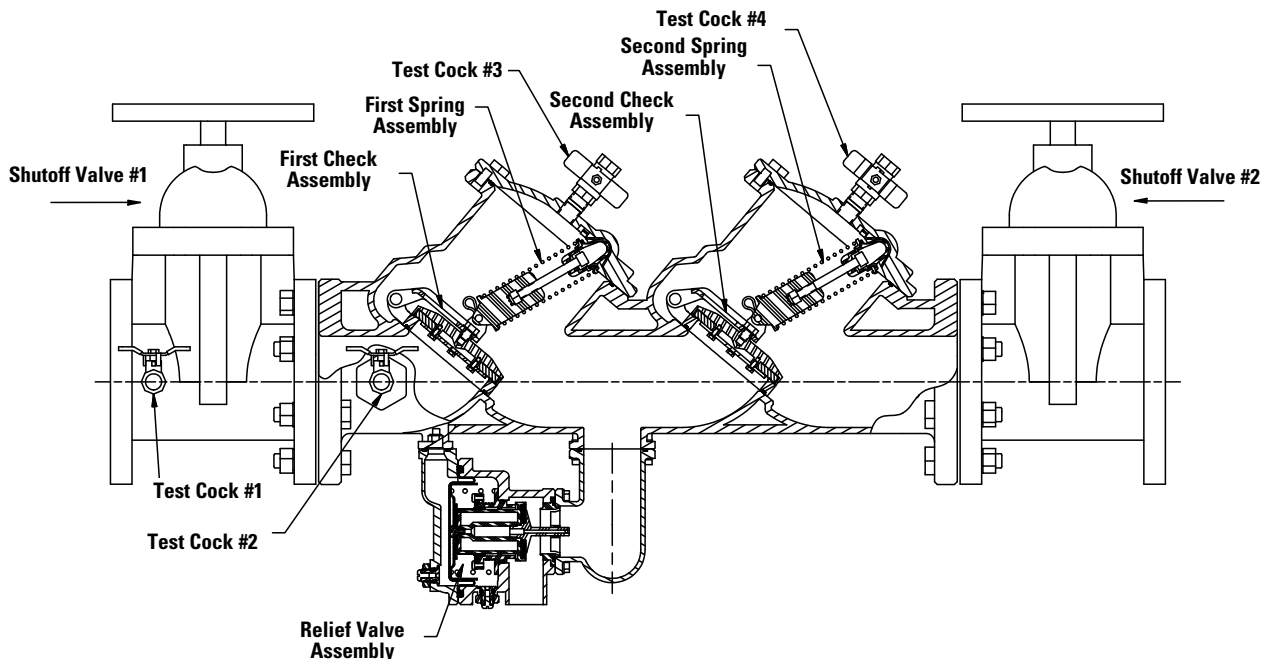
Max. Working Pressure: 175 psi (12.1 bar)

Min. Working Pressure: 20 psi (1.4 bar)

Hydrostatic Test Pressure: 350 psi (24.1 bar)

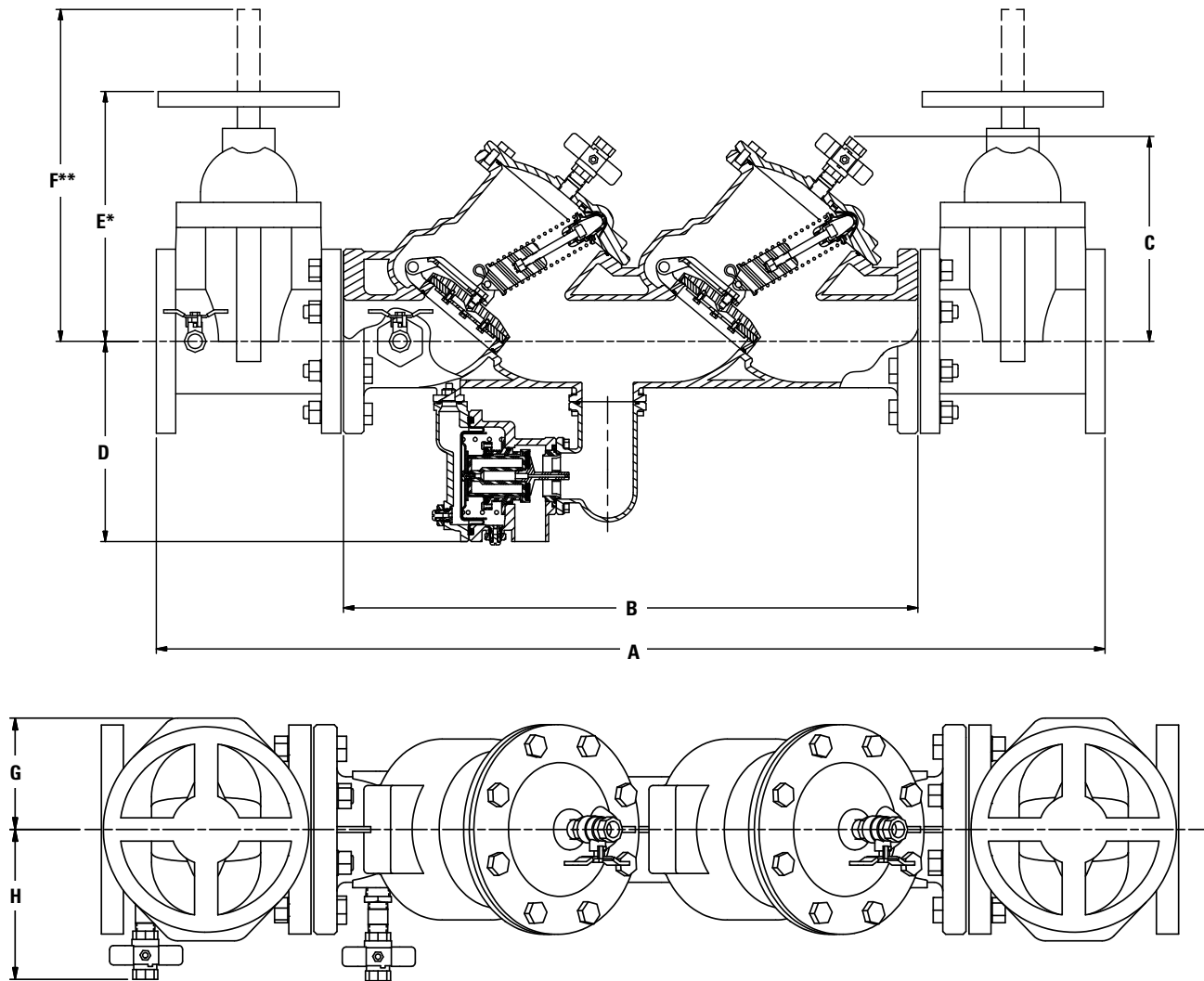
Hydrostatic Safety Pressure: 700 psi (48.3 bar)

Temperature Range: 33°F - 140°F (0.5°C - 60°C) Continuous



Dimensions & Weights

Below are the nominal dimensions and physical weights for the Series LF860 size 2-1/2" through 10". Allowances must be made for normal manufacturing tolerances. Please visit our website to download a copy of this product's installation instructions, or contact your local FEBCO Representative for more information.



LF860

| SIZE (DN) | | DIMENSIONS | | | | | | | | | | WEIGHT*** | | | | | | | | | |
|------------|-----------|------------|-----------|------------|-----------|------------|-----------|------------|-----------|------------|-----------|------------|-----------|------------|-----------|------------|-----------|-------------|------------|-------------|------------|
| | | A | | B | | C | | D | | E* | | F** | | G | | H | | NRS | | OSY | |
| <i>in.</i> | <i>mm</i> | <i>in.</i> | <i>mm</i> | <i>in.</i> | <i>mm</i> | <i>in.</i> | <i>mm</i> | <i>in.</i> | <i>mm</i> | <i>in.</i> | <i>mm</i> | <i>in.</i> | <i>mm</i> | <i>in.</i> | <i>mm</i> | <i>in.</i> | <i>mm</i> | <i>lbs.</i> | <i>kg.</i> | <i>lbs.</i> | <i>kg.</i> |
| 2½ | 65 | 40¾ | 1035 | 25½ | 648 | 10 | 254 | 10 | 254 | 12⅝ | 321 | 16⅝ | 416 | 4½ | 114 | 7⅝ | 181 | 250 | 113 | 254 | 115 |
| 3 | 80 | 41⅞ | 1064 | 25⅝ | 651 | 10 | 254 | 10 | 254 | 12⅞ | 327 | 22¼ | 565 | 4½ | 114 | 7⅞ | 187 | 276 | 125 | 280 | 127 |
| 4 | 100 | 46¼ | 1175 | 28 | 711 | 10⅞ | 257 | 10⅞ | 257 | 14⅜ | 365 | 23¼ | 591 | 5½ | 140 | 8⅞ | 206 | 335 | 152 | 347 | 157 |
| 6 | 150 | 56 | 1422 | 34¾ | 883 | 12¾ | 324 | 11⅞ | 283 | 18⅞ | 479 | 30⅞ | 765 | 6½ | 165 | 9⅞ | 251 | 503 | 228 | 523 | 237 |
| 8 | 200 | 65 | 1651 | 41¾ | 1061 | 15⅝ | 397 | 12¼ | 311 | 23½ | 597 | 37¼ | 959 | 7 | 178 | 11⅞ | 283 | 807 | 366 | 835 | 379 |
| 10 | 250 | 72⅞ | 1845 | 46⅞ | 1178 | 15⅝ | 397 | 12⅝ | 314 | 27½ | 699 | 48 | 1219 | 9 | 229 | 12⅝ | 314 | 1205 | 547 | 1243 | 564 |

* Indicates nominal dimensions with NRS Gate Valves

** Indicates nominal dimensions with OSY Gate Valves (Full Open Position)

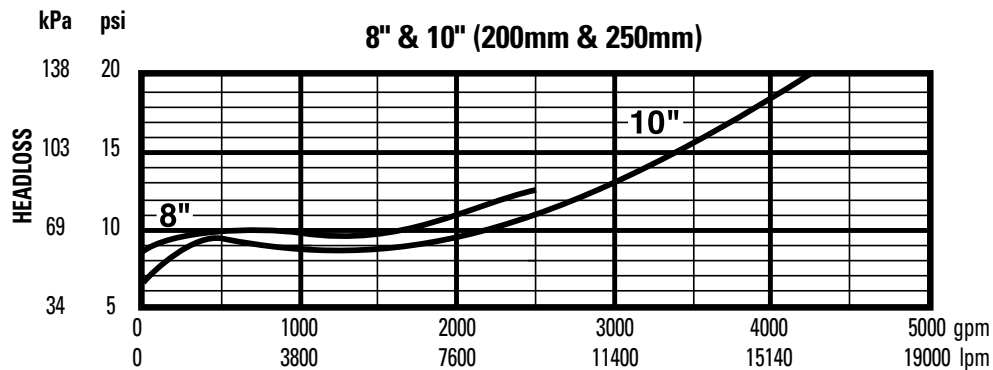
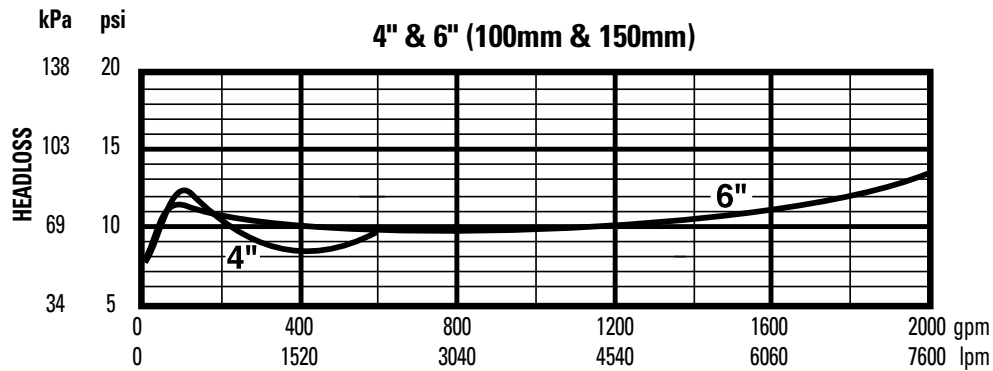
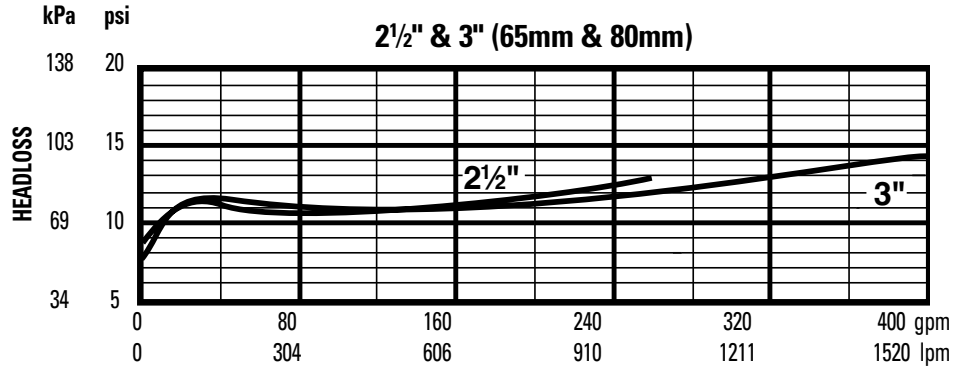
*** Indicates weight of complete Backflow Assemblies with specified Gate Valves

The gap drain is not designed to catch the maximum discharge possible from the relief valve. The installation of the FEBCO air gap with the drain line terminating above a floor drain will handle any normal discharge or nuisance spitting through the relief valve. However, floor drain size may need to be designed to prevent water damage caused by a catastrophic failure condition. Do not reduce the size of the drain line from the air gap fitting.

Performance

Flow capacity chart identifies valve performance based upon rated water Velocity up to 20fps

- Maximum service flow rate is determined by maximum rated Velocity of 7.5fps.
- AWWA Manual M-22 (Appendix C) recommends that the maximum water Velocity in the services be not more than 10fps.
- UL flow rate is determined by typically rated Velocity of 15 feet/sec.



A Watts Water Technologies Company

MASTER series



ISO 9001-2008 CERTIFIED

USA: Tel: (559) 441-5300 • Fax: (559) 441-5301 • www.FEBCOonline.com
 Canada: Tel: (905) 332-4090 • Fax: (905) 332-7068 • www.FEBCOonline.ca