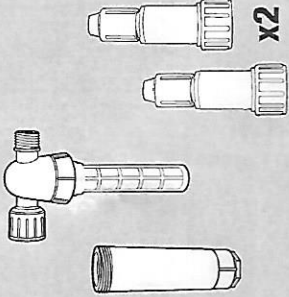


# Convert Spray Head To Drip Irrigation! Universal Conversion Kit Installation Guide

Doc# AF\_Inst\_Conv\_Guide\_Aug\_2012

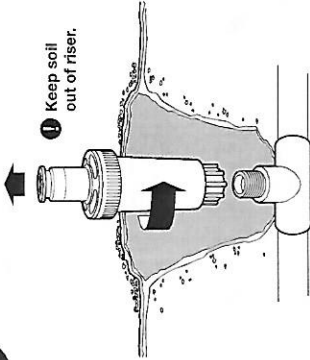
**Conversion Kit Installation**



**Part # FR2 17-710**

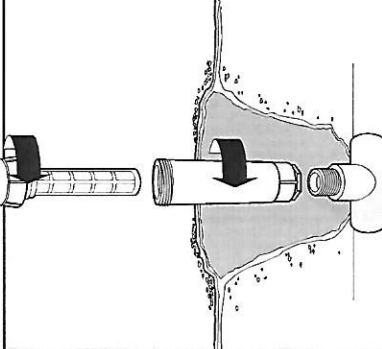
**1**

**Install Conversion Kit**



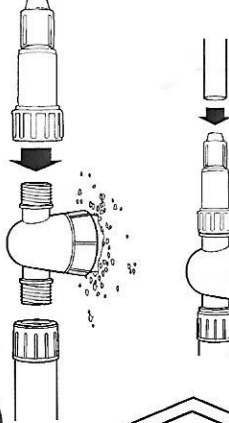
1.) Identify sprayhead to use as water supply  
2.) Remove pop-up sprayhead

**2**



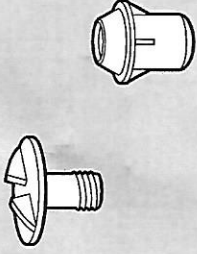
3.) Remove filter and adaptor top from canister.  
4.) Screw canister onto riser pipe.  
5.) Flush system before adding filter and adaptor top.  
6.) Reassemble filter and adaptor assembly.  
7.) Replace soil.

**3**



8.) Connect 16, 17 or 18mm tubing.  
9.) Cap-off any unused adaptor outlet

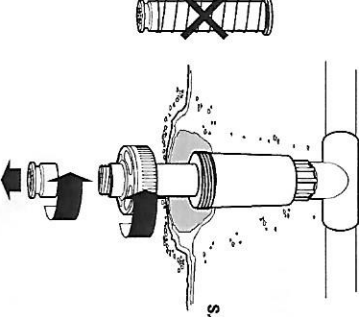
**Cap-off Installation**



**Part # CAP POP/25**


**1**

**Cap-off Unused Pop-up Sprinklers**



1.) Remove internal sprinkler components (the stem nozzle and spring).

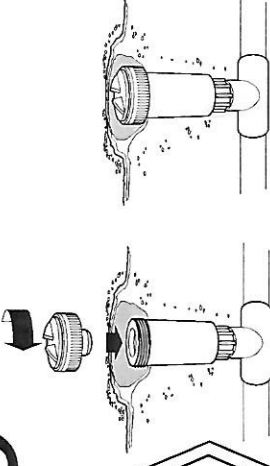
**2**



1. Retain cap seal

2.) Retain cap and seal from spray head.  
3.) Disassemble cap-off device.  
4.) Place tab portion through top of spray head cap.  
5.) Thread on lower portion of cap-off device.  
6.) Tighten lower portion to seal.

**3**



7.) Thread completed assembly onto spray head.





# Universal Kit Tubing Installation Guide

Maximum Total Feet of Tubing Per Conversion Kit						
Maximum Total Feet of Tubing						
Emitter Flow Rate and Spacing						
Conversion Kit	Max Flow	.6 gph 12"	.6 gph 18"	.9 gph 12"	.9 gph 18"	.9 gph 24"
FR2 17-710	6.5 GPM	650'	970'	1300'	433'	866'

Dura Flo™ CV Maximum Run Length (feet)						
17mm - Series - 560" ID x 0.660" OD						
Pressure	12" Spacing		18" Spacing		24" Spacing	
	0.6 gph	0.9 gph	0.6 gph	0.9 gph	0.6 gph	0.9 gph
15 psi	221'	161'	292'	214'	354'	260'
20 psi	300'	221'	399'	294'	488'	358'
25 psi	354'	259'	471'	346'	575'	421'
30 psi	395'	289'	526'	385'	642'	471'
35 psi	429'	314'	571'	418'	699'	512'
40 psi	460'	336'	618'	449'	748'	549'
45 psi	486'	355'	650'	473'	791'	581'

Flow Rate (GPM) per 100' of Tubing			
Emitter Flow GPH	Emitter Spacing Inches		
	12"	18"	24"
0.6	1.0 gpm	.67 gpm	.50 gpm
0.9	1.5 gpm	1.0 gpm	.75 gpm

## List Price

Part #	Description	List Price	Bag Quantity
FR2 17-710	Pop-up Conversion Kit	\$31.30 ea.	1 per bag
CAP POP/25	Pop-up Sprinkler Caps	\$1.68 ea.	25 per bag

StockCode	Description	ProductClass
<b>Dura Flo Inline 17MM Check Valve Tubing</b>		
SFCV-BR-6212-01	.560"IDx.660"OD12"SP.6GPH100FT	21DF
SFCV-BR-6212-025	.560"IDx.660"OD12"SP.6GPH250FT	21DF
SFCV-BR-6212-10	.560"ID.660"OD12"SP.6GPH1000FT	21DF
SFCV-BR-6218-01	.560"IDx.660"OD18"SP.6GPH100FT	21DF
SFCV-BR-6218-025	.560"IDx.660"OD18"SP.6GPH250FT	21DF
SFCV-BR-6218-10	.560"IDx.660"OD18"SP.6GPH1000FT	21DF
SFCV-BR-6224-01	.560"IDx.660"OD24"SP.6GPH100FT	21DF
SFCV-BR-6224-025	.560"IDx.660"OD24"SP.6GPH250FT	21DF
SFCV-BR-6224-10	.560"IDx.660"OD24"SP.6GPH1000	21DF
SFCV-BR-6412-01	.560"ID.660"OD12"SP.9GPH100FT	21DF
SFCV-BR-6412-025	.560"ID.660"OD12"SP.9GPH 250FT	21DF
SFCV-BR-6412-10	.560"ID.660"OD12"SP.9GPH1000FT	21DF
SFCV-BR-6418-01	.560"IDx.660"OD18"SP.9GPH100FT	21DF
SFCV-BR-6418-025	.560"IDx.660"OD18"SP.9GPH250FT	21DF
SFCV-BR-6418-10	.560"ID.660"OD18"SP.9GPH1000FT	21DF
SFCV-BR-6424-01	.560"IDx.660"OD24"SP.9GPH100FT	21DF
SFCV-BR-6424-025	.560"IDx.660"OD24"SP.9GPH250FT	21DF
SFCV-BR-6424-10	.560"IDx.660"OD24"SP.9GPH1000	21DF
<b>Dura-Flo PC 17MM Inline Tubing</b>		
SFPC-BR-17412-01	17MM 1GPH DRIPLINE 100FT/ROLL	21DF
SFPC-BR-17412-025	17MM 1GPH DRIPLINE 250FT/ROLL	21DF
SFPC-BR-17412-05	17MM 1GPH DRIPLINE 500FT/ROLL	21DF
SFPC-BR-17412-10	17MM 1GPH DRIPLINE 1000FT/ROLL	21DF
<b>Blank 17MM Supply Tubing</b>		
A 660BR/100	17MM TUBING 100FT/ROLL BROWN(0.560"ID x 0.660 OD)	21DT
A 660BR/250	17MM TUBING 250FT/ROLL BROWN(0.560"ID x 0.660 OD)	21DT
A 660BR/1000	17MM TUBING 1000FT/ROLL BROWN(0.560"ID x 0.660 OD)	21DT