

MR-16 EDGE

DESCRIPTION:

The MR-16 EDGE Series is designed for use in both enclosed fixtures and open fixtures where precision lighting and very high color rendering are required.

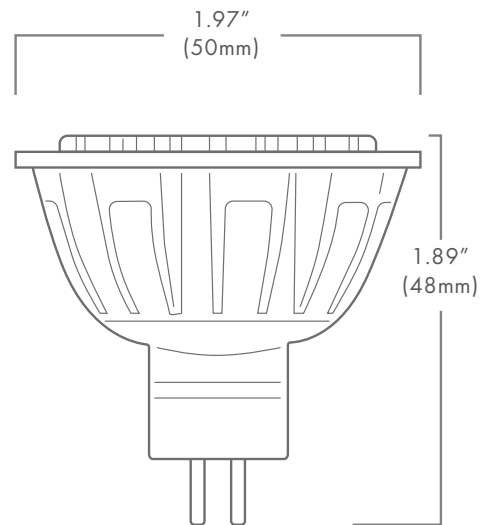
FEATURES:

- Ideal for indoor and outdoor applications that require superior color rendering.
- Perfect for recessed downlights, track lights, wall washing, accent and in-ground lighting.
- Works with electronic and magnetic drivers.
- Dimmable with most magnetic transformers.
- Dimmable with electronic transformer part #B+L EX95101 and part #B+L FX95100, and dimmer combination Lutron DVELV-300P.
- 80% more efficient than halogen equivalent
- Equivalent to 50W halogen.
- Fits all standard fixtures designed for MR16.
- Runs cooler than other brands.
- Suitable for damp locations.
- Engineered for use in totally enclosed fixtures
- UL & FCC compliant

USES:

Great for retail, restaurants, galleries, gardens, residential and commercial uses.

| | |
|--------------------|---------------|
| Wattage | 7 |
| Lumens | 475, 496 |
| Beam Spread | 15°, 30°, 60° |
| Kelvin Temperature | 2700, 3000 |
| Operating Range | 8-25 VAC |
| Chipset | CREE XPL-HI |
| CRI | 93 |
| IP | 61 |
| Lamp Life (hours) | 50,000 |
| Warranty (years) | 5 |



PART NUMBER: MR16 EDGE 7 XXXX XX

| | |
|----------------|--------------|
| 2700 3000 | KELVIN/COLOR |
| 15 30 60 | BEAMSPREAD |

