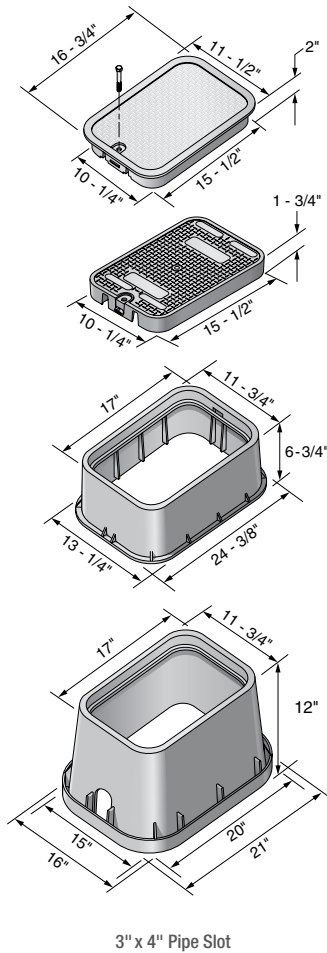


NDS PRO SERIES VALVE BOXES – COMMERCIAL GRADE

NDS Pro Series 14" x 19" Rectangular Valve Boxes

Specifications: The NDS PRO SERIES 14" x 19" body is tapered and has a minimum wall thickness of 0.200". The body has a double wall at the top cover seat area with a minimum thickness of 0.250". The cover seat area has 16 structural support ribs on the underside of the seat, each with a minimum thickness of 0.250". The bottom of the body has a 0.500" flange. The 14" x 19" cover has an average thickness of 0.300". The valve box has a 3/8" 304 Brass nut for the bolt-down as a standard feature.

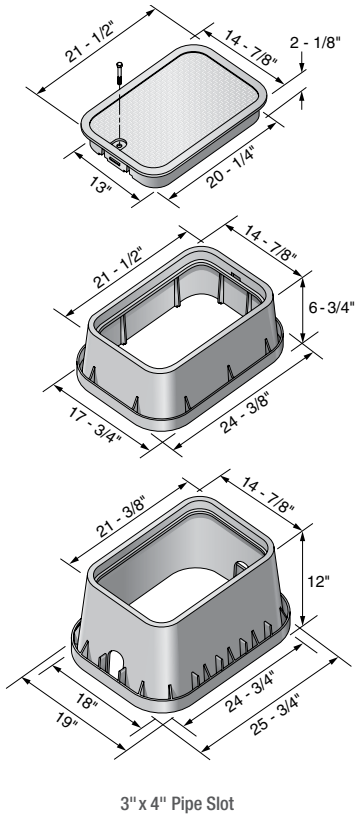


Part No.	Description - Marking	Color (Box/Cover)	Pallet Qty.	Wt. Ea. lbs.	Product Class
Box & Cover					
213BC BRN	14" x 19" Box, Overlapping Cover - ICV	Black/Brown	78	9.00	20PR
214BC	14" x 19" Box, Overlapping Cover - ICV	Green/Green	78	9.00	20PR
213BCBLK	14" x 19" Box, Overlapping Cover - ICV	Black/Black	78	9.00	20PR
216	14" x 19" x 6" Extension, Overlapping Cover - ICV	Green/Green	49	9.00	20PR
216BCB	14" x 19" x 6" Extension, Overlapping Bolt-Down Cover - ICV	Green/Green	49	9.10	20PR
213PBCR	14" x 19" Box, Overlapping Cover - Reclaimed Water	Purple/Purple	78	9.00	20PR
214BCW	14" x 19" Box, Overlapping Cover - Water	Green/Green	78	10.30	20PR
214BCS	14" x 19" Box, Overlapping Cover - Sewer	Green/Green	78	9.00	20PR
214BCB ELEC	14" x 19" Box, Overlapping Bolt-Down Cover - Electrical	Gray/Gray	78	9.10	20PR
Cover Only					
213C BRN	14" x 19" Overlapping Cover - ICV	Brown	300	2.50	20PR
213C	14" x 19" Overlapping Cover - ICV	Green	300	2.50	20PR
213CB	14" x 19" Overlapping Cover - ICV	Black	300	2.50	20PR
213CW	14" x 19" Overlapping Cover - Water	Green	300	2.50	20PR
213CS	14" x 19" Overlapping Cover - Sewer	Green	300	2.50	20PR
213CDW	14" x 19" Pro Series Drop In Cover - Water	Green	200	2.40	20PR
213C ELEC	14" x 19" Overlapping Cover - Electrical	Green	300	2.50	20PR
Box Only					
214B	14" x 19" Box	Green	78	6.00	20PR
214-6	14" x 19" x 6" Extension	Green	49	4.00	20PR
214B GRAY	14" x 19" Box	Gray	78	6.00	20PR
113BB	2-1/2" x 3/8" SS Bolt	Steel	(Bag of 10)	0.10	20NM

NDS PRO SERIES VALVE BOXES – COMMERCIAL GRADE

NDS Pro Series 13" x 20" Jumbo Rectangular Valve Boxes

Specifications: The NDS PRO SERIES 13" x 20" body is tapered and has a minimum wall thickness of 0.250". The body has a double wall at the top cover seat area with a minimum thickness of 0.250". The cover seat area has 16 structural support ribs on the underside of the seat, each with a minimum thickness of 0.250". The bottom of the body has a 0.500" flange. The 13" x 20" cover has an average thickness of 0.250". The valve box has a 3/8" 304 Brass nut for the bolt-down as a standard feature.

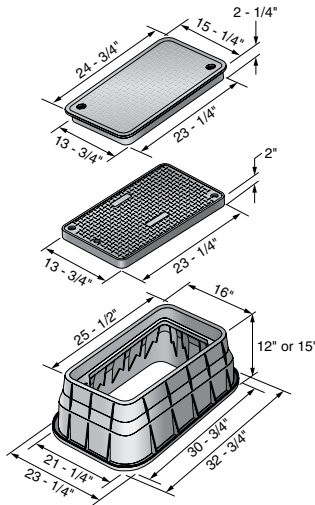


Part No.	Description - Marking	Color (Box/Cover)	Pallet Qty.	Wt. Ea. lbs.	Product Class
Box & Cover					
218BC BRN	13" x 20" Jumbo Box, Overlapping Cover - ICV	Black/Brown	56	14.00	20PR
218BC	13" x 20" Jumbo Box, Overlapping Cover - ICV	Green/Green	56	14.00	20PR
218BCB	13" x 20" Jumbo Box, Overlapping Bolt-Down Cover - ICV	Green/Green	56	14.10	20PR
220	13" x 20" x 6" Jumbo Extension, Overlapping Cover - ICV	Green/Green	32	11.00	20PR
217PBCR	13" x 20" Jumbo Box, Overlapping Cover - Reclaimed Water	Purple/Purple	56	14.00	20PR
218BCW	13" x 20" Jumbo Box, Overlapping Cover - Water	Green/Green	56	14.00	20PR
218BCS	13" x 20" Jumbo Box, Overlapping Cover - Sewer	Green/Green	56	14.00	20PR
218BCBS	13" x 20" Jumbo Box, Overlapping Bolt-Down Cover - Sewer	Green/Green	56	14.10	20PR
Cover Only					
217C BRN	13" x 20" Overlapping Cover - ICV	Brown	180	5.00	20PR
217C	13" x 20" Overlapping Cover - ICV	Green	180	5.00	20PR
217CW	13" x 20" Overlapping Cover - Water	Green	180	5.00	20PR
217CS	13" x 20" Jumbo Overlapping Cover - Sewer	Green	180	5.00	20PR
217CR	13" x 20" Jumbo Overlapping Cover - Reclaimed Water	Purple	180	5.00	20PR
Box Only					
218B	13" x 20" Jumbo Box	Green	56	9.00	20PR
218-6	13" x 20" x 6" Jumbo Extension	Green	32	6.00	20PR
113BB	2-1/2" x 3/8" SS Bolt	Steel	(Bag of 10)	0.10	20NM

NDS PRO SERIES VALVE BOXES – COMMERCIAL GRADE

NDS Pro Series 13" x 24" Rectangular Valve Boxes

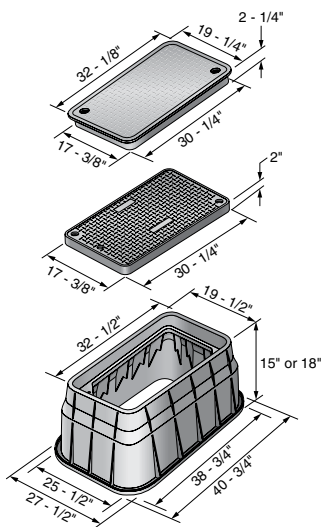
Specifications: The NDS PRO SERIES 13" x 24" body is tapered and has a minimum wall thickness of 0.270". The body has a double wall at the top cover seat area with a minimum thickness of 0.270". The cover seat area has 18 structural support ribs on the underside of the seat, each with a minimum thickness of 0.250". The bottom of the body has a 1.000" flange. The 13" x 24" cover has an average thickness of 0.320". The valve box has a 3/8" 304 Brass nut for the bolt-down as a standard feature.



Part No.	Description - Marking	Color (Box/Cover)	Pallet Qty.	Wt. Ea. lbs.	Product Class
Box & Cover					
221BCB	13" x 24" x 12" Box, Overlapping Bolt-Down Cover - ICV	Green/Green	12	24.00	20PR
222BCB	13" x 24" x 15" Box, Overlapping Bolt-Down Cover - ICV	Green/Green	12	26.00	20PR
222BCB BLK (MTO)	13" x 24" x 15" Box, Overlapping Bolt-Down Cover - ICV	Black/Black	12	26.00	20PR
221BCDB (MTO)	13" x 24" x 12" Box, Drop-in Bolt-Down Cover - ICV	Green/Green	12	24.00	20PR
222BCDB	13" x 24" x 15" Box, Drop-in Bolt-Down Cover - ICV	Green/Green	12	26.00	20PR
Cover Only					
222C BRN	13" x 24" Overlapping Cover - ICV	Brown	125	7.00	20PR
222C	13" x 24" Overlapping Cover - ICV	Green	125	7.00	20PR
222CD	13" x 24" Drop-in Cover - ICV	Green	125	7.00	20PR
222CD ELEC-L-BOLT	13" x 24" Drop-in Cover - Electric**	Gray	125	7.00	20NM
**Note – Installer responsible for ensuring product meets local building/electrical code requirements. Insulate bolt with 1/2" x 2-3/4" heat shrink tube and/or a ground rod clamp (such as Thomas & Betts Part Number 63) to reduce the chance of electrical shock.					
Box Only					
221B	13" x 24" x 12" Box	Green	16	17.00	20PR
222B	13" x 24" x 15" Box	Green	12	19.00	20PR

NDS Pro Series 17" x 30" Rectangular Valve Boxes

Specifications: The NDS PRO SERIES 17" x 30" body is tapered and has a minimum wall thickness of 0.320". The body has a double wall at the top cover seat area with a minimum thickness of 0.320". The cover seat area has 20 structural support ribs on the underside of the seat, each with a minimum thickness of 0.250". The bottom of the body has a 1.000" flange. The 17" x 30" cover has an average thickness of 0.350". The valve box shall have a 3/8" 304 S5 nut for the bolt-down as a standard feature.



Part No.	Description - Marking	Color (Box/Cover)	Pallet Qty.	Wt. Ea. lbs.	Product Class
Box & Cover					
224BCB	17" x 30" x 15" Box, Overlapping Bolt-Down Cover - ICV	Green/Green	12	28.00	20PR
226BCB	17" x 30" x 18" Box, Overlapping Bolt-Down Cover - ICV	Green/Green	10	37.00	20PR
226BCB BLK (MTO)	17" x 30" x 18" Box, Overlapping Bolt-Down Cover - ICV	Black/Black	10	37.00	20PR
224BCDB	17" x 30" x 15" Box, Drop-in Bolt-Down Cover - ICV	Green/Green	12	28.00	20PR
226BCDB	17" x 30" x 18" Box, Drop-in Bolt-Down Cover - ICV	Green/Green	10	37.00	20PR
226PBCRB	17" x 30" x 18" Box, Overlapping Cover - Reclaimed Water	Purple/Purple	10	37.00	20PR
Cover Only					
223C BRN	17" x 30" Overlapping Cover - ICV	Brown	75	11.00	20PR
223C	17" x 30" Overlapping Cover - ICV	Green	75	11.00	20PR
223CD	17" x 30" Drop-in Cover - ICV	Green	75	11.00	20PR
223CR	17" x 30" Overlapping Cover - Reclaimed Water	Purple	75	11.00	20PR
223CDS	17" x 30" Pro Series Drop in Cover - Sewer	N/A	75	11.00	20PR
223CD ELEC	17" x 30" Drop-in Cover - Electric	Gray	75	11.00	20PR
Box Only					
224B	17" x 30" x 15" Box	Green	12	20.00	20PR
226B	17" x 30" x 18" Box	Green	12	20.00	20PR
226B GRAY	17" x 30" x 18" Valve Box	Gray	5	23.00	20PR
126PB	17" x 30" x 18" Box	Purple	10	23.00	20ND