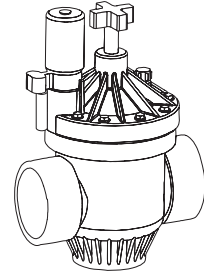
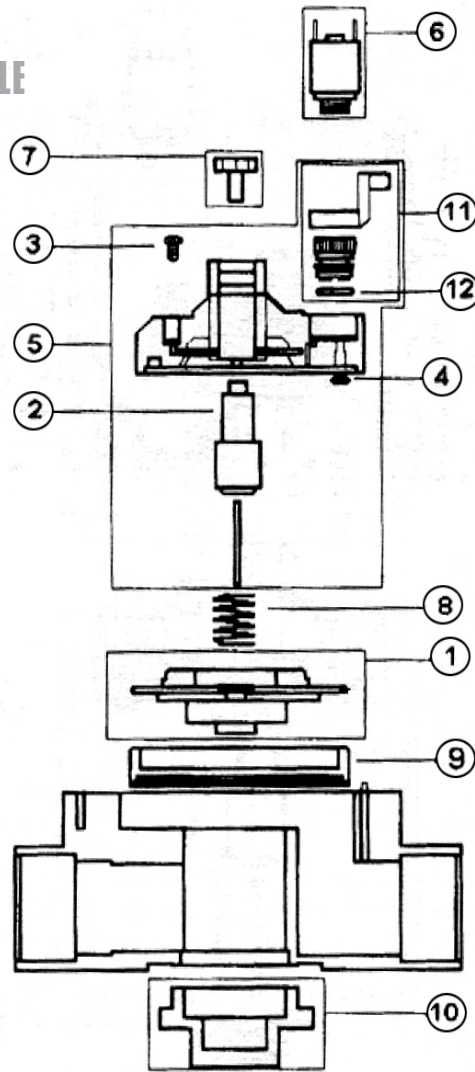


# VALVES

## 200B SERIES ELECTRIC GLOBE/ANGLE

### MODEL NUMBERS:

- 214B
- 216B
- 217B



REF.#	DESCRIPTION	214B	216B	217B
		PART NUMBERS	PART NUMBERS	PART NUMBERS
1	Diaphragm Assembly	539001	114401-H	114601-H
2	Flow Shaft Assembly	100230	113401	113401
3	External Bleed Screw	100229	100229	100229
4	O-Ring	121001	121001	121001
5	Cover Assembly (Bonnet)	R152101	R216101	R218401
6	Solenoid Assembly, 24 VAC, 60 Hz	R811-24VACG	R811-24VACG	R811-24VACG
6	Solenoid Assembly, 24 VAC, 50 Hz	588403	588403	588403
7	Flow Adjustment Handle	R8359601	100322-H	100322-H
8	Spring	R153201	113801-H	114001
9	Divider	100237-H	115001-H	120601
10	Inlet Plug & O-Ring, NPT	112801-H	122301	122501
11	Internal Manual Bleed Assembly	R606902	R606902	R606902
12	O-Ring	R1631	R1631	R1631