

Job Name _____
 Job Location _____
 Engineer _____
 Approval _____

Contractor _____
 Approval _____
 Contractor's P.O. No. _____
 Representative _____

LEAD FREE*

Series 860 Reduced Pressure Zone Assemblies

Size: 1/2" - 2" (15 - 50mm)**

The FEBCO Series 860 Reduced Pressure Zone Assemblies are for use in health-hazard applications. The series 860 are designed to protect drinking water supplies from dangerous cross-connections in accordance with national plumbing codes and water authority requirements for non-potable service applications such as irrigation, fireline, or industrial processing. End Connections – NPT ANSI / ASME B1.20.1

Pressure – Temperature

Max. Working Pressure: 175psi (12.1 bar)
 Hydrostatic Test Press: 350psi (24.1 bar)
 Temperature Range: 32°F to 140°F (0°C to 60°C)

Materials

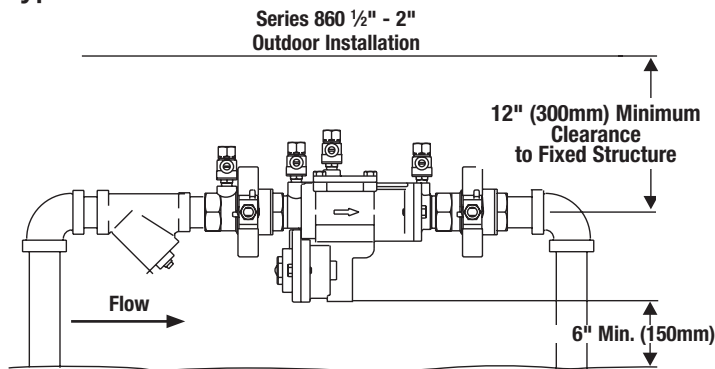
Valve Body: Bronze
 Elastomers: Silicone
 Springs: Stainless Steel

Approvals – Standards

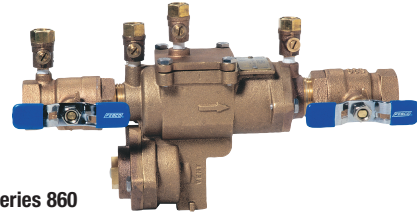
- ANSI/AWWA Conformance (C511)
- Approved by the Foundation for Cross-Connection Control and Hydraulic Research at the University of Southern California.



Typical Installation

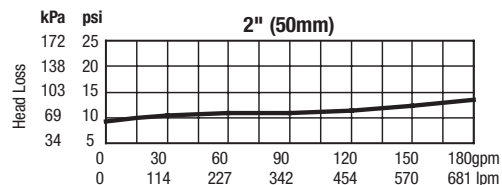
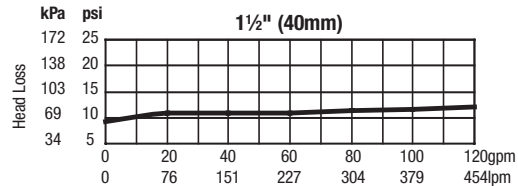
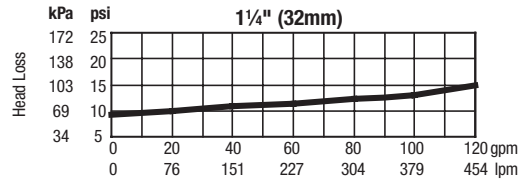
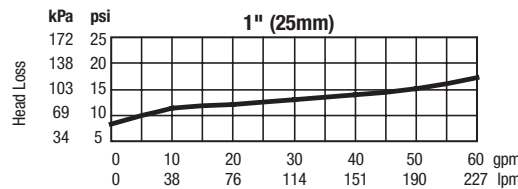
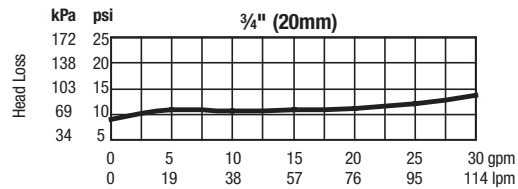
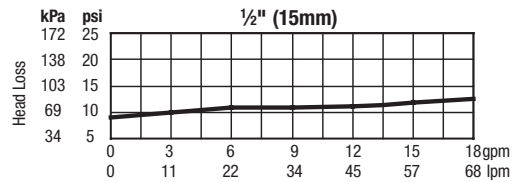


**Metric Dimensions are nominal pipe diameter. This product is produced with NPT threaded end connections.



Series 860

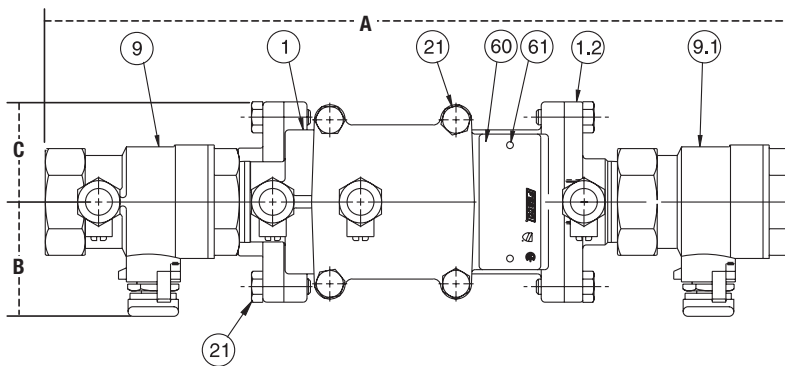
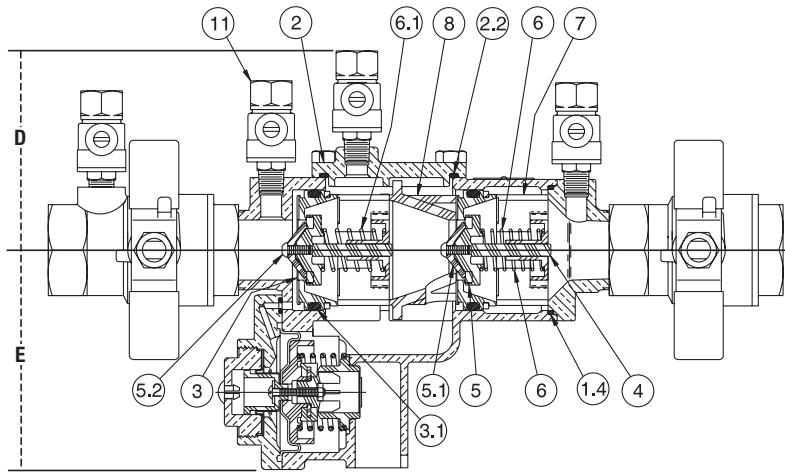
Capacity



A WATTS Brand

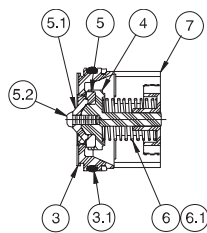
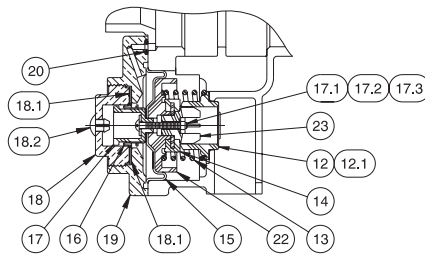
FEBCO product specifications in U.S. customary units and metric are approximate and are provided for reference only. For precise measurements, please contact FEBCO Technical Service. FEBCO reserves the right to change or modify product design, construction, specifications, or materials without prior notice and without incurring any obligation to make such changes and modifications on FEBCO products previously or subsequently sold.

Series 860 / Size: 1/2" - 2"



Relief Valve Assembly

Check Assembly



ITEM	DESCRIPTION	MATERIALS
1	Body	Bronze
1.2	Tailpiece	Bronze
1.4	O-Ring	Silicone
2	Cover	Bronze
2.2	O-Ring	Silicone
3	Seat	Noryl®
3.1	O-Ring	Silicone
4	Poppet	Noryl®
5	Seat Disc	Silicone Rubber
5.1	Disc Retainer	Noryl®
5.2	Rnd HD Screw	Phillips, 18-8 SS
6	Spring	SS
6.1	Spring	SS
7	Guide	Noryl®
8	Retainer Spacer	Noryl®
9	Ball Valve	Bronze
9.1	Ball Valve	Bronze
11	Test Cock	Bronze
12	Seat Ring-RV	Noryl®
12.1	Gasket Ring-RV	Silicone Rubber
13	Spring-RV	SS
14	Seat Disc-RV	Silicone Rubber/SS
15	Diaphragm-RV	Rubber/Fabric
16	Outer Diaphragm-RV	Rubber/Fabric
17	Small Piston-RV	Noryl®
17.1	Rnd HD Screw	Phillips, 18-8 SS
17.2	Washer	18-8 SS
17.3	Hex Nut	18-8 SS
18	Cylinder-RV	Brass
18.1	Slip Ring-Cylinder	Acetal
18.2	Slide (Plug)	Nylon
19	Cover-RV	Bronze
20	O-Ring	Silicone
21	Hex HD Capscrew	18-8 SS
22	Large Piston-RV	Noryl®
23	Guide-RV	Noryl®
60	Identification Plate	Brass
61	Drive Screw Stick	SS

WARNING
It is illegal to use this product in any plumbing system providing water for human consumption, such as drinking or dishwashing, in the United States. Before installing standard material product, consult your local water authority, building and plumbing codes.

NOTICE

The gap drain is not designed to catch the maximum discharge possible from the relief valve. The installation of FEBCO air gap with normal discharge or nuisance spitting through the relief valve. However, floor drain size may need to be designed to prevent water damage caused by a catastrophic failure condition. Do not reduce the size of the drain line from the air gap fitting.

NOTICE

The information contained herein is not intended to replace the full product installation and safety information available or the experience of a trained product installer. You are required to thoroughly read all installation instructions and product safety information before beginning the installation of this product.

NOTICE

Inquire with governing authorities for local installation requirements.

Dimensions – Weights

Size: 1/2" - 2" (15 - 50mm)

SIZE (DN)		DIMENSIONS										WEIGHT	
		A		B		C		D		E			
in.	mm	in.	mm	in.	mm	in.	mm	in.	mm	in.	mm	lbs.	kgs.
1/2	15	10	254	1 1/2	38	1 1/2	38	3 3/8	79	3 1/2	89	5.6	2.5
3/4	20	10 3/4	273	1 1/2	38	1 1/2	38	3 3/8	79	3 1/2	89	5.8	2.6
1	25	12 1/2	318	1 5/8	48	1 5/8	41	3 3/8	86	3 3/8	92	9.2	4.2
1 1/4	32	15 7/8	403	3	76	2 1/2	64	4 1/4	108	5 3/8	143	20.2	9.2
1 1/2	40	16 3/8	416	3	76	2 1/2	64	4 1/4	108	5 3/8	143	20.6	9.4
2	50	17 3/8	450	3 1/2	89	2 1/2	64	4 1/4	108	5 3/8	143	24.8	11.3

Note: Dimensions are nominal. Allowances must be made for normal manufacturing tolerances.



A WATTS Brand

USA: Tel: (800) 767-1234 • Fax: (800) 788-4491 • FEBCOonline.com

Canada: Tel: (905) 332-4090 • Fax: (905) 332-7068 • FEBCOonline.ca

Latin America: (52) 81-1001-8600 • Fax: (52) 81-8000-7091 • FEBCOonline.com