

### Application

Designed for installation on irrigation water lines to protect against backsiphonage of contaminated water into the potable water supply. Assembly shall provide protection where a potential health hazard exists.

### Standards Compliance

- ASSE® Listed 1020
- IAPMO® Listed
- CSA @ Certified
- Approved by the Foundation for Cross-Connection Control and Hydraulic Research at the University of Southern California

### Materials

Main valve body	Cast Bronze ASTM B584
Fasteners	Stainless Steel, 300 Series
Elastomers	Silicone (FDA approved) Buna Nitrile (FDA approved)
Polymers	Polypropylene (FDA approved) Delrin® (FDA approved)
Springs	Stainless Steel, 300 series

### Features

Sizes:	1/2", 3/4", 1", 1 1/4", 1 1/2", 2"
Maximum working water pressure	150 PSI
Maximum working water temperature	110°F
Hydrostatic test pressure	300 PSI
End connections threaded	ANSI B1.20.1



### Options

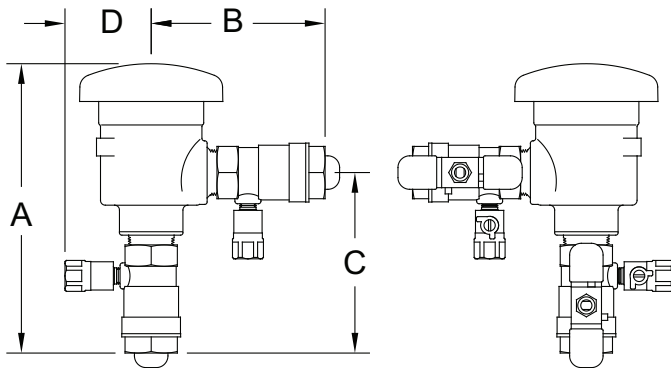
(Suffixes can be combined)

- with full port QT ball valves (standard)
- PF - with Z-Bite™ push fit connections\* (1/2"-1" only)
- PR - with Z-Press™ press fit connections\*

\*Fittings ship in box with valve and must be threaded into valve by hand on site.

### Accessories

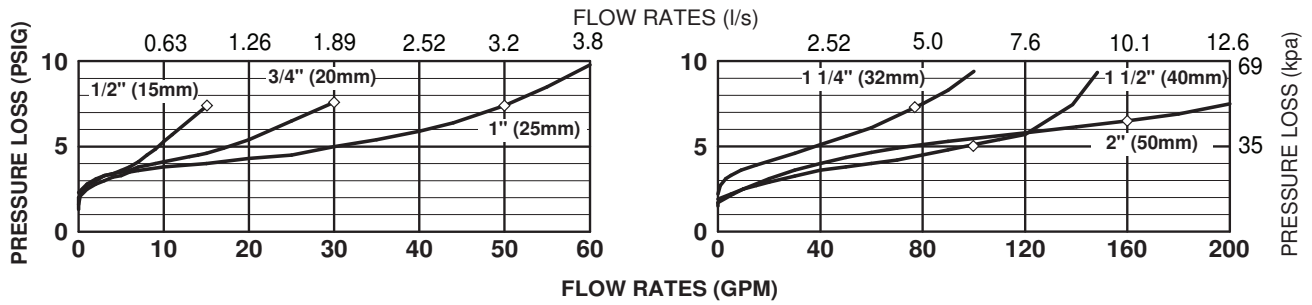
- Repair kit (complete)
- Water Hammer Arrester (Model 1250XL)
- QT-SET Quick Test Fitting Set



### Dimensions & Weights (do not include pkg.)

MODEL SIZE		DIMENSIONS (approximate)								WEIGHT			
		A		B		C		D		LESS BV		WITH BV	
in.	mm	in.	mm	in.	mm	in.	mm	in.	mm	lbs.	kg	lbs.	kg
1/2	15	7 1/8	181	4 1/16	103	4 1/4	108	2 1/4	57	4	1.8	6	2.7
3/4	20	7 3/16	183	4 5/16	110	4 5/16	110	2 3/8	60	4	1.8	6	2.7
1	25	7 3/4	197	4 5/8	117	4 3/4	121	2 5/8	67	4	1.8	8	3.6
1 1/4	32	11	279	7 7/16	189	7 7/16	189	3 1/8	79	14	6.4	20	9
1 1/2	40	10 1/2	267	7	178	7	178	3 1/8	79	14	6.4	20	9
2	50	11 1/16	281	7 9/16	192	7 11/16	195	3 1/8	79	14	6.4	26	10.4

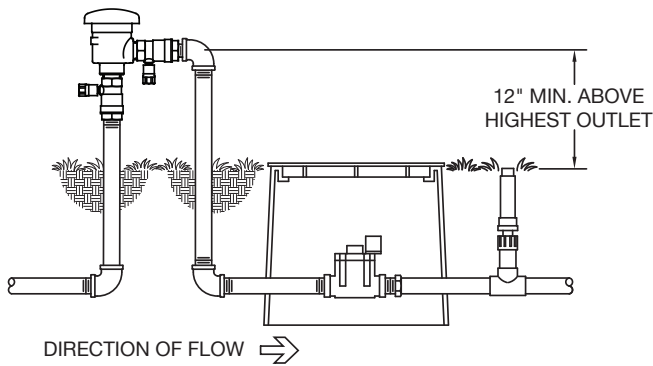
**MODEL 720A 1/2", 3/4", 1", 1 1/4", 1 1/2" & 2" (STANDARD & METRIC)**



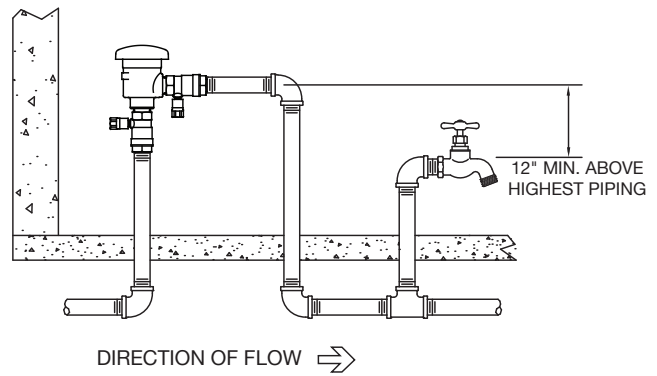
**Typical Installation**

Local codes shall govern installation requirements. Unless otherwise specified, the assembly shall be mounted at a minimum of 12" (305mm) above the highest piping or outlet downstream of the device. Install with adequate drain and sufficient side clearance for testing and maintenance. The installation shall be made so that no part of the unit can be submerged. A pressure vacuum breaker cannot be installed where back-pressure could occur or where spillage of water from vent could cause damage.

Capacity thru Schedule 40 Pipe				
Pipe size	5 ft/sec	7.5 ft/sec	10 ft/sec	15 ft/sec
1/8"	1	1	2	3
1/4"	2	2	3	5
3/8"	3	4	6	9
1/2"	5	7	9	14
3/4"	8	12	17	25
1"	13	20	27	40
1 1/4"	23	35	47	70
1 1/2"	32	48	63	95
2"	52	78	105	167



**OUTDOOR INSTALLATION**



**INDOOR INSTALLATION**

**Specifications**

The Pressure Vacuum Breaker shall be ASSE 1020 approved, and supplied with full port ball valves. The main body and bonnet shall be bronze (ASTM B584), the loaded-air inlet shall use an silicone elastomer spring and seat disc. The entire assembly shall be accessible for maintenance and testing without removing the device from the line. The Pressure Vacuum Breaker shall be a Zurn Wilkins Model 720A.