



Count on it.

Parts Catalog

252 Series Valves

Model No. 252 Series Valves



Ordering Replacement Parts

To order replacement parts, please supply the part number, the quantity, and the description of each part desired.

Understanding Reference Numbers

Each identified part in an illustration has a reference number. The reference number for a part also appears in the parts list, along with other information about the part.

This catalog uses two special reference number formats, one to indicate parts in a service assembly and another to indicate the quantity of a given part in an illustration.

Service Assembly Reference Numbers

Parts in service assemblies have reference numbers in the form a:b. The a represents the reference number of the entire service assembly and the b represents a sequential number unique to each part within the service assembly.

For example, a wheel assembly might be identified by reference number 6, the tire by 6:1, the valve by 6:2, and the wheel by 6:3. When you order the assembly identified by reference number 6, you receive all parts identified by reference numbers 6:1, 6:2, and 6:3. However, you may also order any part individually. Reference numbers of this type appear in illustration and in parts lists.

Reference Numbers Indicating Quantity

In an illustration, if a reference number indicates more than one part, the reference number has the form nX y. The n represents the quantity of the part, the X is the multiplication symbol, and the y represents the reference number.

For example, in an illustration, the reference number 2X 37 means that two of the parts identified by reference number 37 are indicated.

List of Abbreviations

AR: as required

ASM: assembly

BBC: blade brake control

BHTF: button head thread forming

CARR: carriage

CCW: counter clockwise

CW: clockwise

DEG: degrees

DPA: Dual Point Adjustment

ECM: electronic control module

EXT: external

FH: flat head

GA: gauge

HD: heavy-duty

HF: hex flange

HH: hex head

HHF: hex head flange

HHFTF: hex head flange thread forming

HJ: hex jam

HLH: hex lag head

HOC: height-of-cut

HSBH: hex socket button head

HSFH: hex socket flat head

HSH: hex socket head

HWH: hex washer head

HWTF: hex washer head thread forming

HYD: hydraulic

LH: left hand

LPG: Liquid Propane Gas

NI: nylon insert

NPTF: national pipe thread fine

PFH: phillips flat head

PPH: phillips pan head

PPHTF: phillips pan head thread forming

PRH: phillips round head

PTH: phillips truss head

PTO: power-take-off

RH: right hand

ROPS: roll-over protection system

RRB: rear roller brush

SFH: slotted fillister head

SHH: slotted hex head

SHWH: slotted hex washer head

SPH: slotted pan head

SQH: square head

SRH: slotted round head

STD: standard

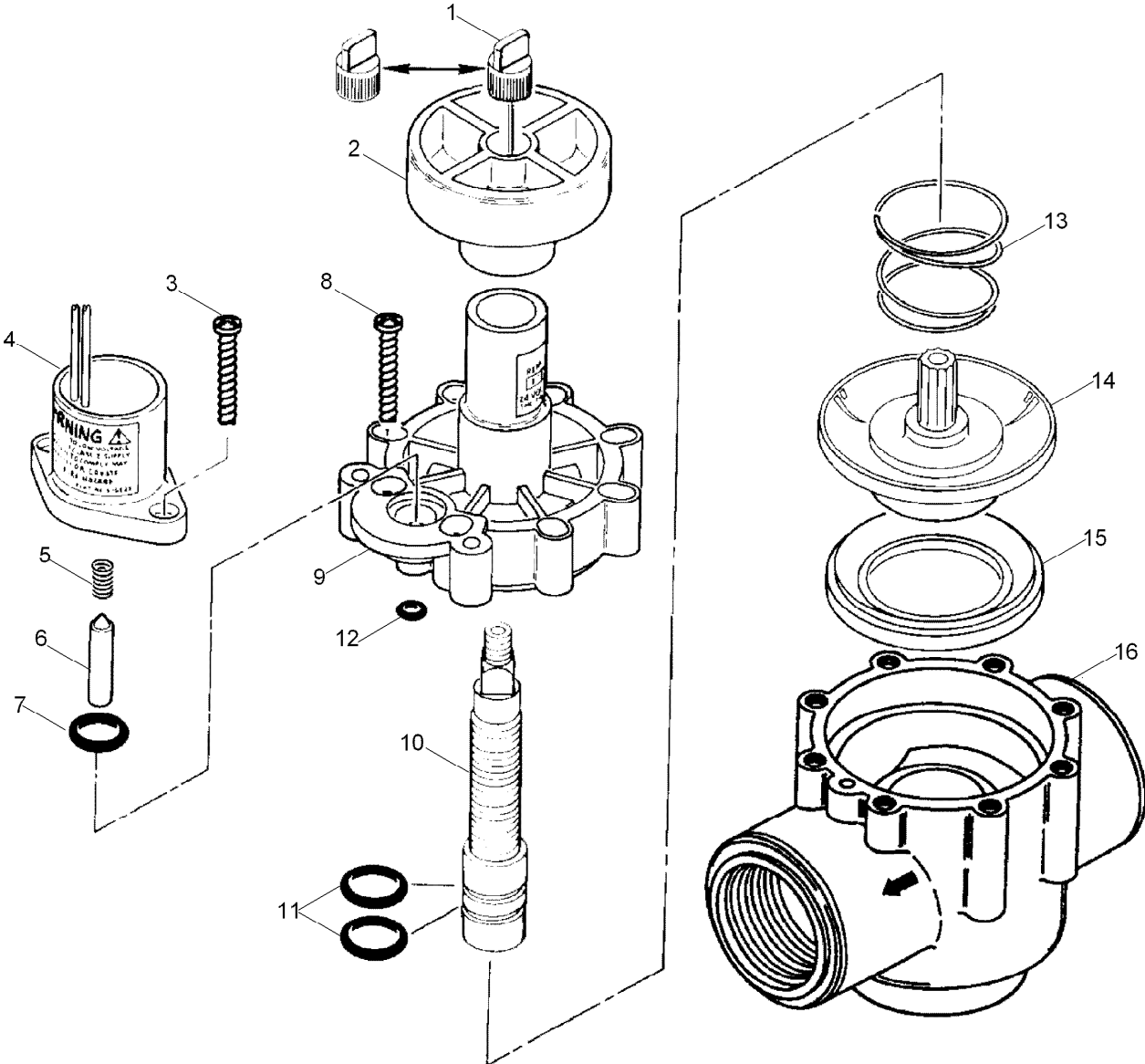
TAP: self tapping

TTH: torx truss head

Contents

252 Series, 1 Inch Valves 4
252 Series, 1.5 Inch (Sheet 1 of 2) 6
252 Series, 1.5 Inch Valve (Sheet 2 of 2) 8
252 Series, 2 Inch Valve (Sheet 1 of 2)..... 10
252 Series, 2 Inch Valve (Sheet 2 of 2)..... 12

252 Series, 1 Inch Valves

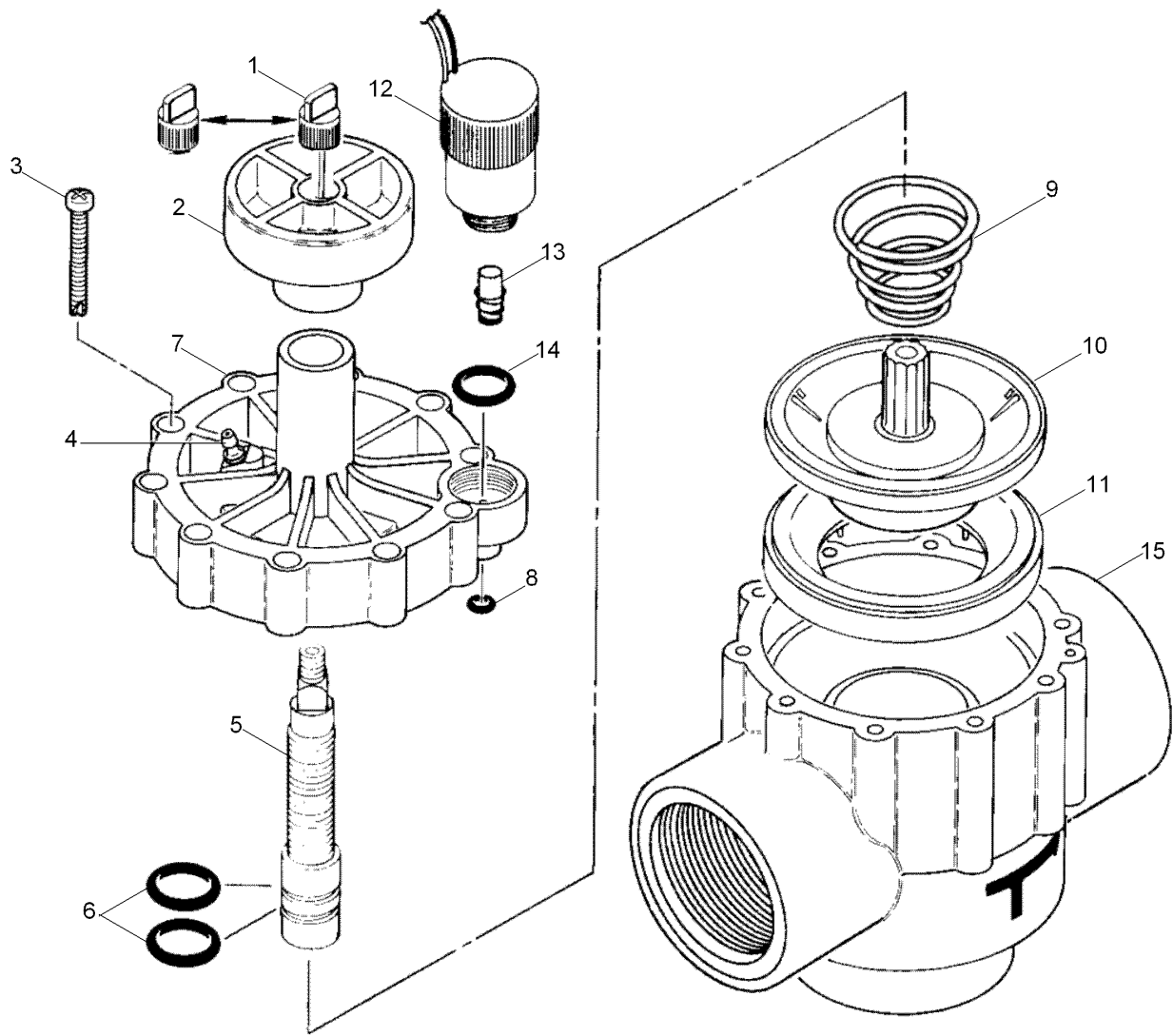


252 Series, 1 Inch Valves (continued)

<i>Ref.</i>	<i>Part Number</i>	<i>Qty.</i>	<i>Description</i>	<i>Ref.</i>	<i>Part Number</i>	<i>Qty.</i>	<i>Description</i>
1	35-4521	1	Bleed Cap ASM, W/ Pin, El, Fast Closing	13	9-7110	1	Spring, Diaphragm, El And No
1	35-1748	1	Bleed Cap ASM, W/O Pin, No And Pt	14	35-2824	1	Diaphragm ASM, 1", El
2	35-3777	1	Knob, Handle, Cross	15	9-6331	1	Support, Diaphragm
3	363-1493	2	Screw, #10 X 1	16		1	Body Assy., 1", Npt ▲
4		1	Solenoid Assy. (See Service Item 89-0878) ▲	16		1	Body Assy., 1", Bsp ▲
5	9-6148	1	Spring-Plunger, Solenoid, El	N/I		1	Plug, Pipe, 1" ▲■
6	9-6527	1	Plunger Assy., El	89-7855			Bleed Cap ASM, W/O Pin, No And Pt, Effluent ●■
7	2-9652	1	O-Ring, 7/16" X 5/8", No (As568-111)	89-0878			Solenoid And Plunger Assy., El (Includes Items 4-6) ●■
8	363-1493	8	Screw, #10 X 1	9-8182			Cap Assy. (Includes Items 9-11) ●■
9		1	Cap Assy., El, W/Fc (See Service Item 35-8182) ▲	35-3503			Diaphragm ASM, El, Service Kit ●■
10	35-1983	1	Stem-Flow Control				Screen, Filter, 3/4" (Use With 35-3503 Diaphragm Assy) ●▲■
11	360-0220	2	O-Ring (0.070 X 0.551 X 0.691) (As568-015)	35-9346			Bleed Cap ASM, W/Pin, Slow-Closing ●■
12	1-2035	1	O-Ring, El, Pr And Cr (0.070" X 0.114" X 0.254") (As568-006)				

● SERVICE ITEMS
▲ Not serviced separately

■ Not illustrated

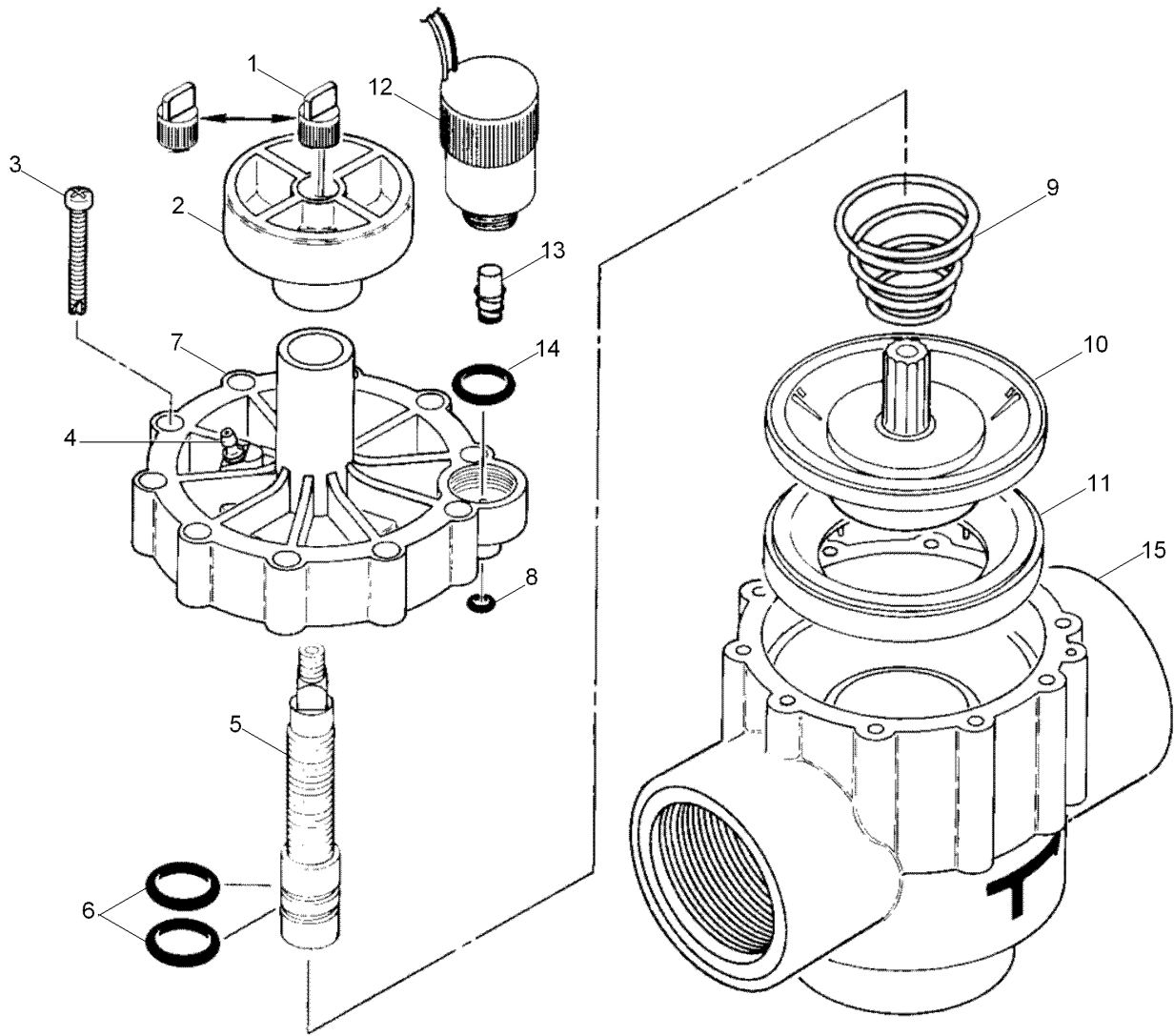


252 Series, 1.5 Inch (Sheet 1 of 2)

Ref.	Part Number	Qty.	Description
1	35-4521	1	Bleed Cap ASM, W/ Pin, EI, Fast Closing
1	35-1748	1	Bleed Cap ASM, W/O Pin, No And Pt
1	89-7855	1	Bleed Cap ASM, W/O Pin, No And Pt, Effluent
2	35-3777	1	Knob, Handle, Cross
3	360-0203	10	Screw, Tap, #10-25 X 1-3/4, Sst
4		1	Cap, Valve, EI ●
4		1	Cap, Valve, No & Pt (See Service Items) ●
4		1	Cap, Valve, Pr (See Service Items) ●
4		1	Cap, Valve, Cr (See Service Items) ●
5	35-1983	1	Stem-Flow Control

Ref.	Part Number	Qty.	Description
6	360-0220	2	O-Ring (0.070 X 0.551 X 0.691) (As568-015)
7	9-6791	1	Connector, Poly, No And Pr
8	1-2035	1	O-Ring, EI, Pr And Cr (0.070" X 0.114" X 0.254") (As568-006)
9	9-4425	1	Spring, Diaphragm, Pt
10	89-0812	1	Diaphragm ASM, EI
10	89-0814	1	Diaphragm ASM, Pt
10	89-0813	1	Diaphragm ASM, No, Pr And Cr
11	89-6110	1	Support-Diaphragm
12	118-0248	1	Solenoid Assy., EI, Pr And Cr
13	35-4609	1	Plunger ASM, EI, Pr And Cr
14	360-0220	1	O-Ring (0.070 X 0.551 X 0.691) (As568-015)
15	9-7100	1	Body ASM, No And Pt, Npt

● Not serviced separately



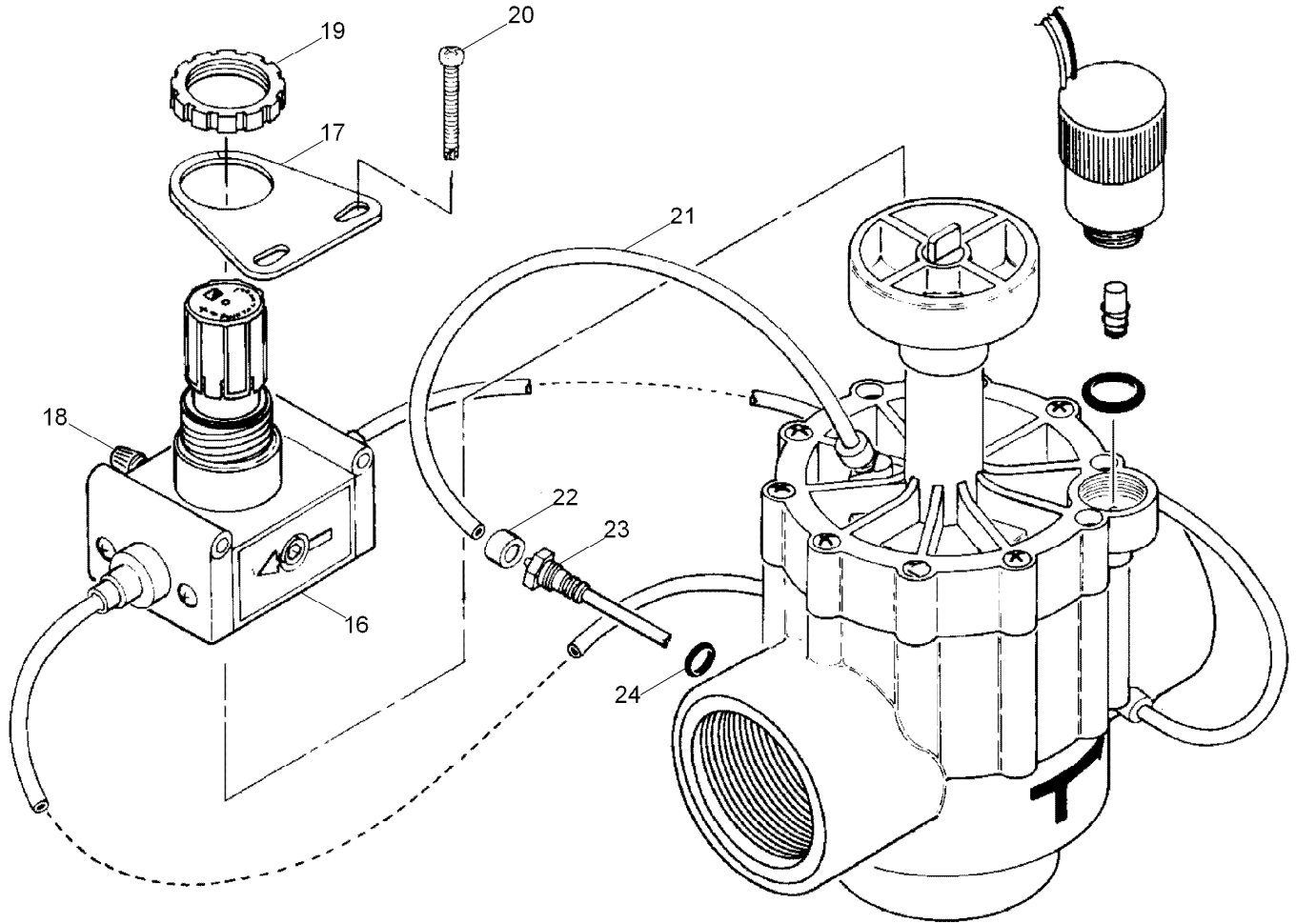
252 Series, 1.5 Inch (Sheet 1 of 2) (continued)

Ref.	Part Number	Qty.	Description
15	9-7238	1	Body ASM, El, Npt
15		1	Body Assy., No & Pt, Bsp ●
15	35-1973	1	Body ASM, El, Bsp
15	35-4937	1	Body ASM, Pr, Npt

Ref.	Part Number	Qty.	Description
15	35-5642	1	Body ASM, Pr, Bsp
15	89-4805	1	Body ASM, Cr, Npt
15	89-6036	1	Body ASM, Cr, Bsp

● Not serviced separately

252 Series, 1.5 Inch Valve (Sheet 2 of 2)



252 Series, 1.5 Inch Valve (Sheet 2 of 2) (continued)

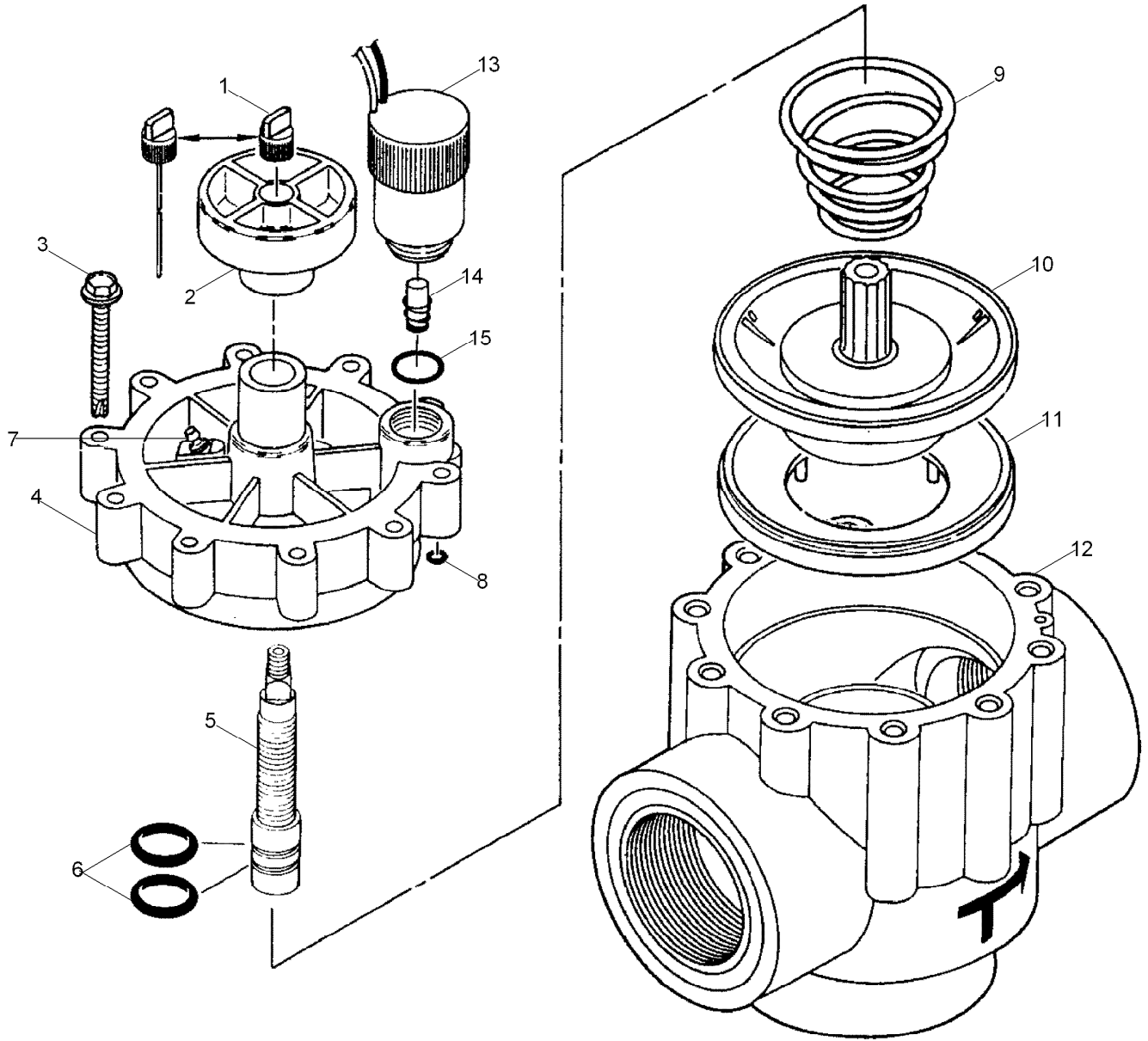
<i>Ref.</i>	<i>Part Number</i>	<i>Qty.</i>	<i>Description</i>	<i>Ref.</i>	<i>Part Number</i>	<i>Qty.</i>	<i>Description</i>
16	363-3141	1	Regulator-Water Pressure, Plastic Valve, Pr	89-8157			Cap, 1/4", Poly, No ●■
17	35-3444	1	Bracket, Regulator, Pr	35-9346			Bleed Cap ASM, W/Pin, Slow-Closing ●■
18	363-1762	1	Valve, Schrader, 1/8", Pr, Npt	35-0595			Cap ASM, Valve, El ●■
19	363-1894	1	Nut-Regulator, Pr	35-0769			Cap ASM, Valve, No And Pt ●■
20	360-0203	2	Screw, Tap, #10-25 X 1-3/4, Sst	35-4935			Cap ASM, Valve, Pr And Cr ●■
21	9-2623	3	Tube, 1/4" X 8", El	35-4926			Regulator ASM, Plastic Valve, Pr ●■
21	9-2624	1	Tubing, Poly, 1/4" X 11.5", Cr	89-0817			Diaphragm Kit, 1.5, El ●■
22	900-40	6	Retainer, Tube, Pr And Cr ▲	89-0818			Diaphragm Kit, 1.5, No ●■
23	35-4619	1	Filter Assy., 1/4", Regulator, Pr And Cr	89-0814			Diaphragm ASM, Pt ●■
24	360-0494	1	O-Ring (0.070" X 0.426" X 0.566") Pr And Cr (As568-013)	89-9453			Service Kit, Valve, 1.5, No ●■
	35-3099		Solenoid ASM, El And Pr And Cr ●■	89-3853			Service Kit, Valve, 1.5, El ●■
				89-3892			Service Kit, Valve, 1.5, Pt ●■

● SERVICE ITEMS

▲ Order Through Finished Goods Distribution System - Minneapolis

■ Not illustrated

252 Series, 2 Inch Valve (Sheet 1 of 2)

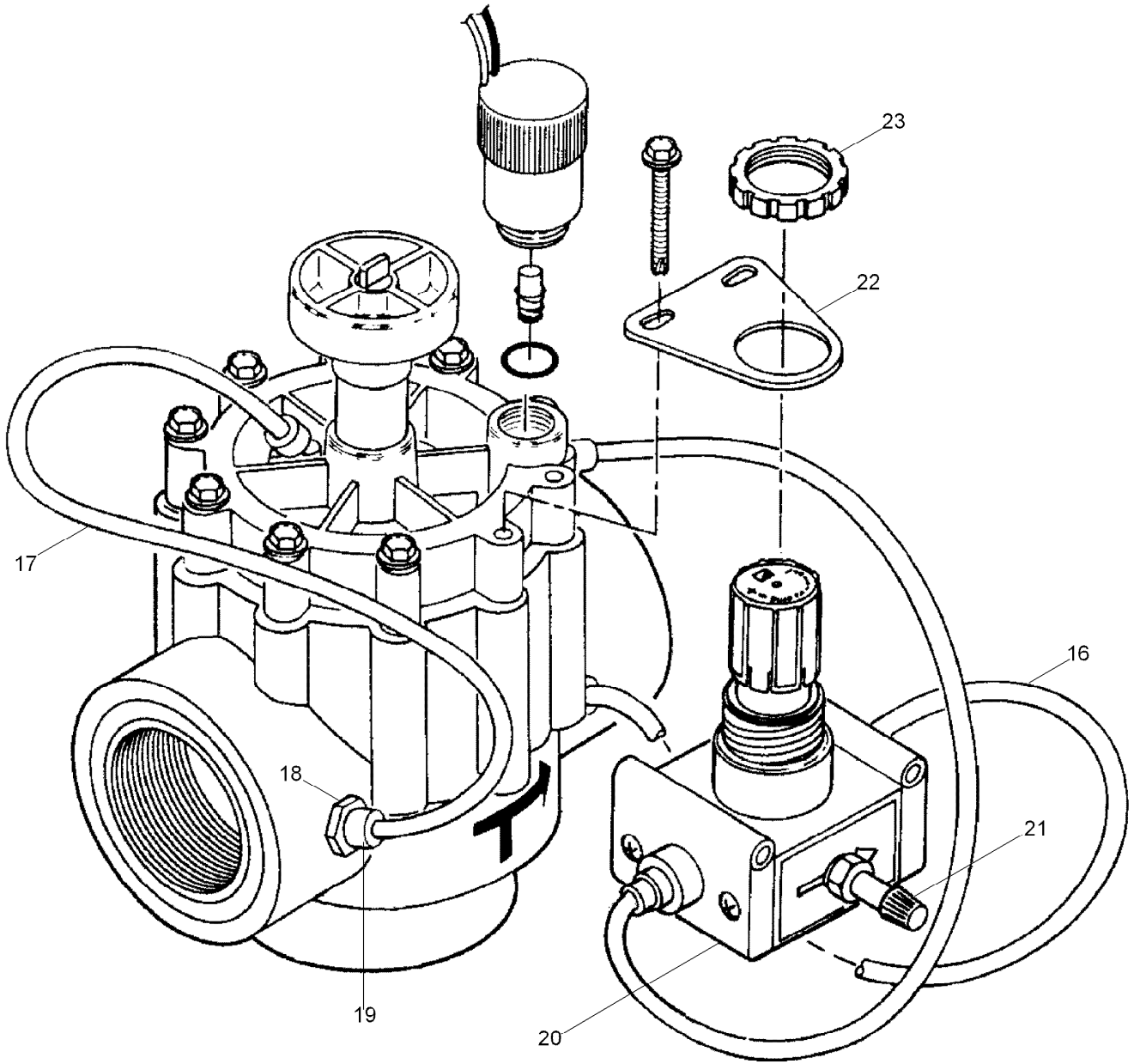


252 Series, 2 Inch Valve (Sheet 1 of 2) (continued)

<i>Ref.</i>	<i>Part Number</i>	<i>Qty.</i>	<i>Description</i>	<i>Ref.</i>	<i>Part Number</i>	<i>Qty.</i>	<i>Description</i>
1	35-3892	1	Bleed Cap Assy. With Pin, EI	9	9-4425	1	Spring, Diaphragm, No
1	35-1748	1	Bleed Cap Assy., No, Pr And Cr	10	89-0815	1	Diaphragm ASM, EI
2	35-3777	1	Knob, Handle, Cross	10	89-0816	1	Diaphragm ASM, No, Pr And Cr
3	363-1399	10	Screw-Hex, Washer, 1/4-14 X 2	11	9-6504	1	Support-Diaphragm
4		1	Cap, Valve (See Service Items) ●	12	9-7258	1	Body ASM, EI And No, Npt
5	35-1983	1	Stem-Flow Control	12	35-1974	1	Body ASM, EI And No, Bsp
6	360-0220	2	O-Ring (0.070 X 0.551 X 0.691) (As568-015)	12	35-4943	1	Body ASM, Pr, Npt
7	9-6791	1	Connector, Poly, No And Pr	12	35-5645	1	Body ASM, Pr, Bsp
8	1-2035	1	O-Ring, EI, Pr And Cr (0.070" X 0.114" X 0.254") (As568-006)	12	89-4807	1	Body ASM, Cr, Npt
9	9-6940	1	Spring, Diaphragm, EI, Pr And Cr	12		1	Body Assy., Cr, Bsp ●
				13	118-0248	1	Solenoid (Red & Black Wires)
				14	35-4609	1	Plunger ASM, EI, Pr And Cr
				15	360-0220	1	O-Ring (0.070 X 0.551 X 0.691) (As568-015)

● Not serviced separately

252 Series, 2 Inch Valve (Sheet 2 of 2)



252 Series, 2 Inch Valve (Sheet 2 of 2) (continued)

<i>Ref.</i>	<i>Part Number</i>	<i>Qty.</i>	<i>Description</i>	<i>Ref.</i>	<i>Part Number</i>	<i>Qty.</i>	<i>Description</i>
16	9-2623		Tube, 1/4" X 8", El		89-3855		Diaphragm Kit, El 232/252
17	9-1876		Tube, 1/4" X 12", Pr And Cr				Valves (Includes Items 10
18	35-4931		Filter ASM, Regulator, .034,				And 11) ●■
			Pr And Cr (Includes O-Ring)		35-0596		Cap Assy., Valve, El
19	900-40		Retainer, Tube, Pr And Cr ▲				(Includes Items 4-6) ●■
20	363-3141		Regulator-Water Pressure,		35-0768		Cap Assy., Valve, No
			Plastic Valve, Pr				(Includes Items 4-7) ●■
21	363-1762		Valve, Schrader, 1/8", Pr,		35-4940		Cap Assy., Valve, Pr
			Npt				(Includes Items 4-7) ●■
22	35-3444		Bracket, Regulator, Pr		35-4926		Regulator Assy., Valve,
23	363-1894		Nut-Regulator, Pr				Plastic, Pr (Includes Items
	35-3099		Solenoid Assy., El And Pr		89-0806		20-23) ●■
			(Includes Items 13 And 14)				Bleed Screw, Fast, 2 Inch ●
			●■				■
	102-1214		Plug, Pipe, 2", Bsp ●■		360-0494		O-Ring (0.070" X 0.426"
	89-3854		Diaphragm Kit, El, 232 Valve				X 0 .566") Pr And Cr
			(Includes Items 10 And 11)				(As568-013) ●■
			●■				

● SERVICE ITEMS

▲ Order Through Finished Goods Distribution System - Minneapolis

■ Not illustrated

Notes:

Notes:



Count on it.